

Personal MiniDisc System

Operating Instructions page 2^{GB}

GB

Manual de instrucciones página 2^{ES}

ES



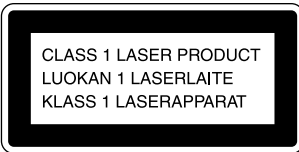
ZS-M50

Warning

To prevent fire or shock hazard, do not expose the player to rain or moisture.

To avoid electrical shock, do not open the cabinet. Refer servicing to qualified personnel only.

Information





This Compact Disc/MiniDisc player is classified as a CLASS 1 LASER product. The CLASS 1 LASER PRODUCT label is located at the bottom.

Warning

Do not install the appliance in a confined space, such as a bookcase or built-in cabinet.

Notice for customers in the United Kingdom

A moulded plug complying with BS 1363 is fitted to this equipment for your safety and convenience.

Should the fuse in the plug supplied need to be replaced, same rating fuse approved by ASTA or BSI to BS 1362, (i.e. marked with  or  mark) must be used.

If the plug supplied with this equipment has a detachable fuse cover, be sure to attach the fuse cover after you change the fuse. Never use the plug without the fuse cover. If you should lose the fuse cover, please contact your nearest Sony service station.

Table of contents

Basic Operations

- 4 Playing a CD
- 6 Recording a whole CD (Synchronized recording)
- 8 Playing an MD
- 10 Listening to the radio

The CD Player•The MD Player

- 12 Using the display
- 16 Checking CD text information
- 18 Locating a specific track
- 19 Playing tracks repeatedly (Repeat Play)
- 20 Creating your own programme (Programme Play)
- 22 Playing tracks in random order (Shuffle Play)

The Radio

- 23 Presetting radio stations
- 25 Playing preset radio stations
- 26 Using the Radio Data System (RDS)

Recording

- 33 Recording the track you are listening to (Synchronized recording of a single track – REC IT)
- 34 Recording the tracks you programmed (Synchronized recording of the tracks you programmed)
- 36 Recording from the radio or a CD
- 38 Recording on a recorded MD

Editing recorded tracks on the MD

- 39 Before editing
- 41 Erasing recordings (Erase Function)
- 44 Dividing recorded tracks (Divide Function)
- 46 Combining recorded tracks (Combine Function)
- 48 Moving recorded tracks (Move Function)
- 49 Labelling recordings (Name Function)

The Timer

- 53 Setting the clock
- 55 Waking up to music
- 57 Timer-recording radio programmes
- 59 Falling asleep to music

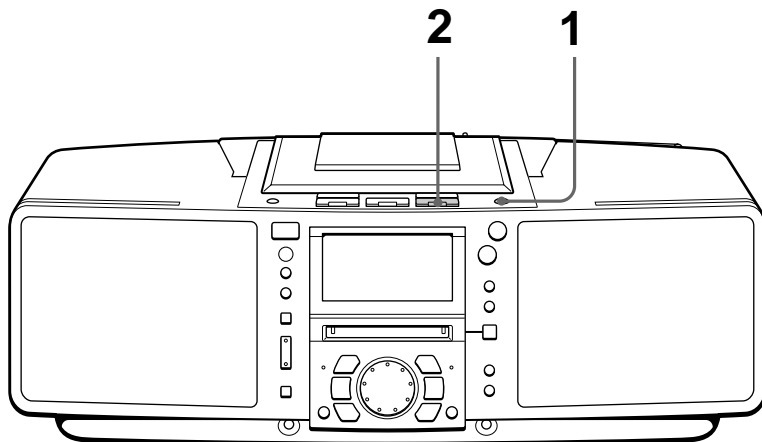
Setting Up

- 60 Preparing the system
- 63 Connecting optional components
- 65 Adjusting the audio emphasis

Additional Information

- 66 Precautions
- 68 System limitations of the MD
- 70 Getting to know the MD
- 72 Troubleshooting
- 75 Error messages
- 76 Specifications
- 77 Index

Playing a CD



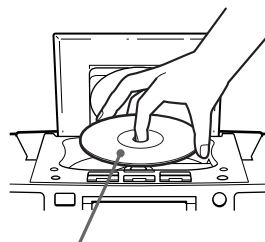
Connect the mains lead (see page 61).

1

CD OPEN/CLOSE



Press CD OPEN/CLOSE (direct power-on) and place the CD on the CD compartment.



With the label side up

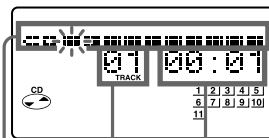
2



Press CD (CD on the remote).

The lid of the CD compartment closes and the player plays all the tracks once.

Display

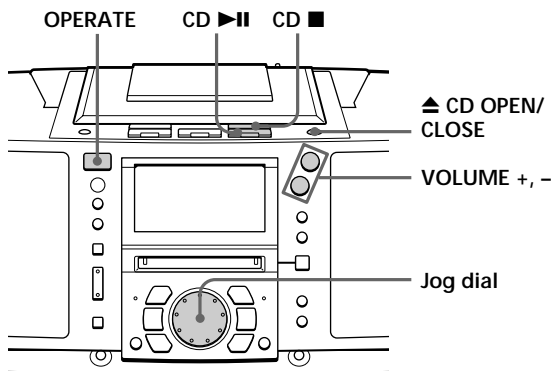


Position pointer

Track number

Playing time

Use these buttons for additional operations



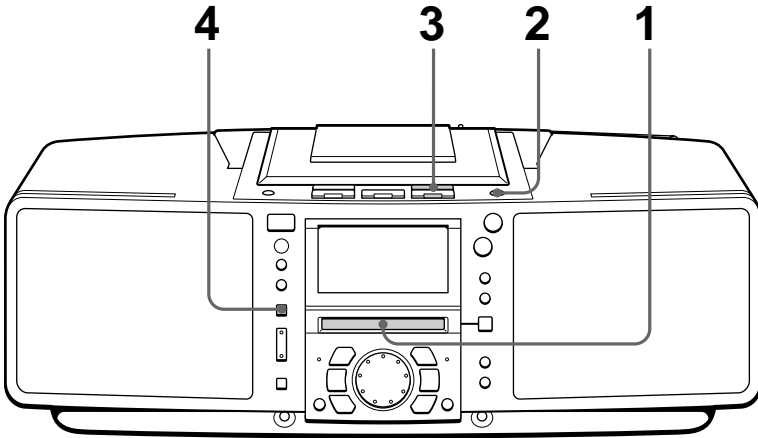
Tips

- Next time you want to listen to a CD, just press CD ►||. The player turns on automatically and starts playing the CD.
- **What is the position pointer in the display?**
It shows about where on the CD track the player is playing.
- When opening or closing the lid of the CD compartment, be careful not to pinch your fingers, etc., between the lid and the player. If pinched, press ▲ CD OPEN/CLOSE again to open the lid.

To	Do this
adjust the volume	Press VOLUME +, - (VOL +, - on the remote).
stop playback	Press CD ■.
pause playback	Press CD ► (CD on the remote). Press the button again to resume play after pause.
go to the next track	Turn the jog dial clockwise. (On the remote, press ►►.)
go back to the previous track	Turn the jog dial counterclockwise. (On the remote, press ◀◀.)
remove the CD	Press ▲ CD OPEN/CLOSE.
turn on/off the player	Press OPERATE.

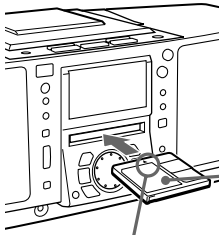
Recording a whole CD

(Synchronized recording)



Connect the mains lead (see page 61).

1

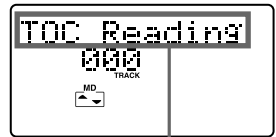


Insert a recordable MD (direct power-on).

With the label side up

Insert in the direction of the arrow

Display



After "TOC Reading" is displayed, the disc name will be displayed if it is labeled.

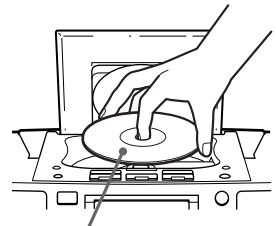
2

CD OPEN/CLOSE



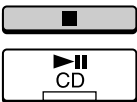
Press ▲ CD OPEN/CLOSE and place the CD on the CD compartment.

Press ▲ CD OPEN/CLOSE again to close the CD compartment.

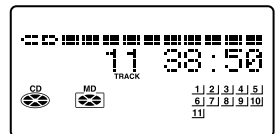


With the label side up

3



Press CD ■.



4

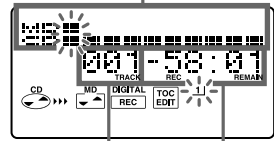


Press SYNCHRO REC CD ▶

Position pointer (showing playing position on the CD and recording position on the MD)

The player starts recording automatically.

If the MD has any previous recording, recording will be made from the last recorded position.



Track number of MD

Remaining recording time of MD

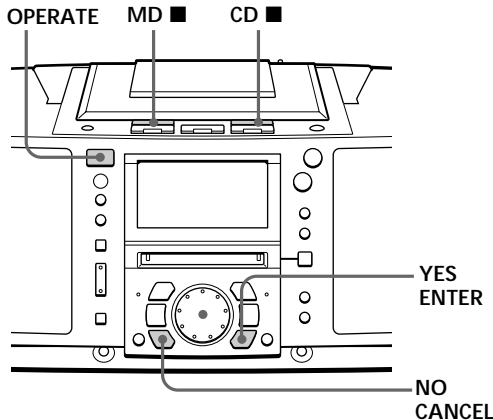
Notes

- **TOC EDIT** After you stop recording, do not disconnect the mains lead or move the player while "TOC EDIT" is flashing in the display. If you do so, recording may not be done properly.
- When you record a whole CD, you cannot pause recording.

Tips

- Adjusting the volume or the audio emphasis (page 65) will not affect the recording level. Keep the volume at a moderate level so as to prevent the sound from skipping.
- To record over the previous recording, see page 38.
- Once the clock is set, the recording date and time are stamped automatically (page 53).
- You can label an MD or a track during recording (page 49).

Use these buttons for additional operations



To	Press
stop recording	MD ■ or CD ■
turn on/off the player	OPERATE

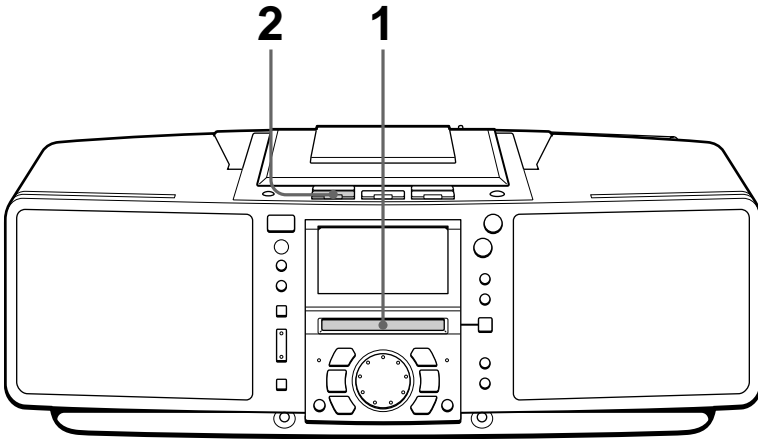
If "CD>MD OK?" alternates with time display

There is not enough space on the MD to record the whole CD.

If it is all right to record as much as possible and cancel recording of some tracks, press YES•ENTER. To stop recording, press NO•CANCEL.

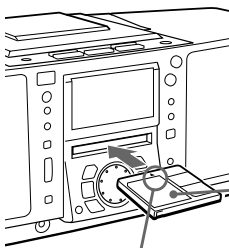
If any other messages are displayed, see page 75.

Playing an MD



Connect the mains lead (see page 61).

1

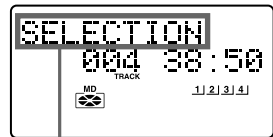


Insert in the direction of the arrow

Insert the MD (direct power-on).

With the label side up

Display



After "TOC Reading" is displayed, the disc name will be displayed if it is labeled.

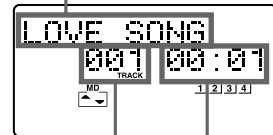
2



Press MD ►|| (MD ► on the remote).

The player plays all the tracks once.

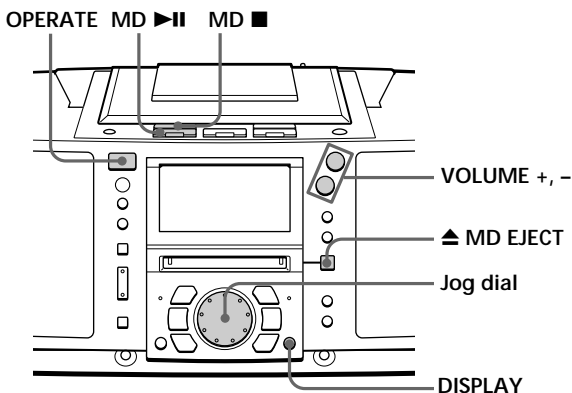
Track name is displayed if it is labeled.



Track number

Playing time

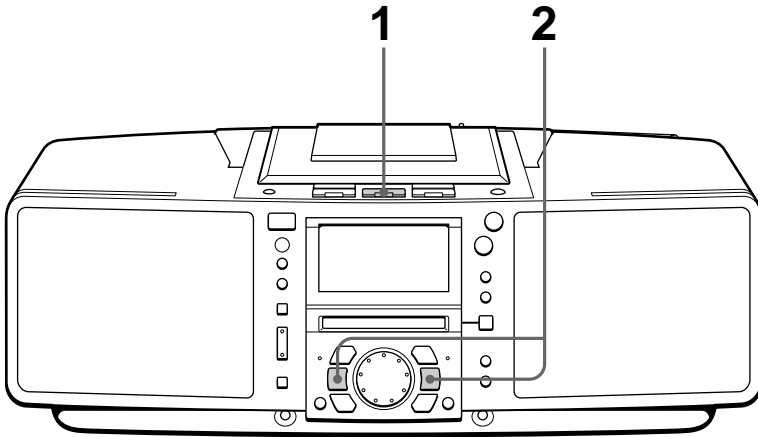
Use these buttons for additional operations

**Tip**

Next time you want to listen to a MD, just press MD ►||. The player turns on automatically and starts playing the MD.

To	Do this
adjust the volume	Press VOLUME +, - (VOL +, - on the remote).
stop playback	Press MD ■.
pause playback	Press MD ► (MD on the remote). Press the button again to resume play after pause.
go to the next track	Turn the jog dial clockwise. (On the remote, press ► .)
go back to the previous track	Turn the jog dial counterclockwise. (On the remote, press ◀◀.)
remove the MD	Press ▲ MD EJECT.
turn on/off the player	Press OPERATE.
check the playing position in the display using the position pointer	Press DISPLAY.

Listening to the radio



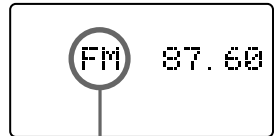
Connect the mains lead (see page 61).

1



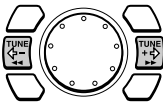
Press RADIO BAND until the band you want appears in the display (direct power-on).

Display



"FM", "MW" or "LW" appears

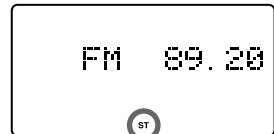
2



Hold down TUNE + or TUNE - until the frequency digits begin to change in the display.

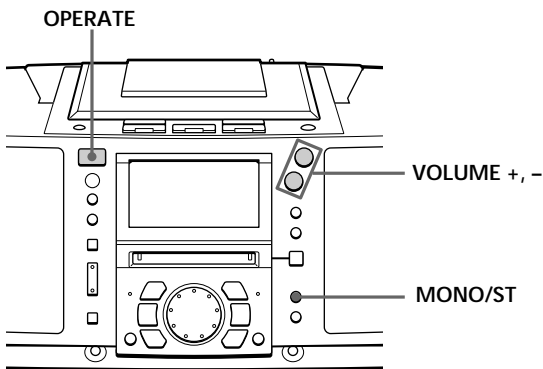
The player automatically scans the radio frequencies and stops when it finds a clear station.

If you can't tune in a station, press TUNE + or TUNE - repeatedly until you tune in the station you want.



Indicates an FM stereo broadcast

Use these buttons for additional operations



Tips

- If the FM broadcast is noisy, press MONO/ST (MODE on the remote) until “Mono” appears in the display and radio will play in monaural.
- Next time you want to listen to the radio, just press RADIO BAND. The player turns on automatically and starts playing the previous station.

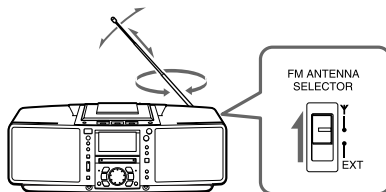
To	Press
adjust the volume	VOLUME +, - (VOL +, - on the remote)
turn on/off the radio	OPERATE

To improve broadcast reception

FM:

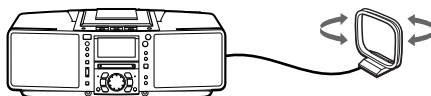
Set the FM ANTENNA SELECTOR at the rear of the player to “Y” (telescopic aerial).

Reorient the aerial for FM.



MW/LW:

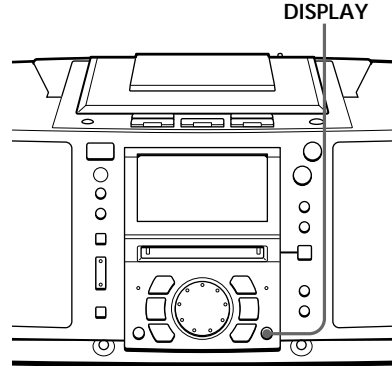
Keep the MW/LW loop aerial as far as possible from the player and reorient it.



If the broadcast is still noisy, connect the external aerial (page 62).

Using the display

You can check information about the CD and MD using the display.

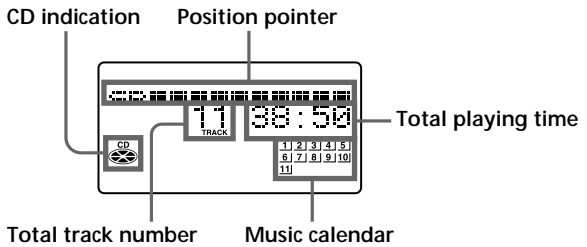


Tip

When using the CD containing text information, the disc name, the artist name, etc. appear in the display (page 16).

During stop (CD)

The total track number and playing time are displayed.



If the CD has more than 20 tracks, "OVER 20" appears in the display.

Note

During repeat play (page 19), programme play (page 20) and shuffle play (page 22), the number of tracks left and remaining time on the CD will not be displayed.

During play (CD)

The current track number and playing time are displayed. The track numbers in the music calendar disappear after they are played.

To check the remaining time

Press DISPLAY.

To display	Press DISPLAY
the current track number and remaining time on the current track	once
the number of tracks left and remaining time on the CD	twice
the current track number and playing time	three times

continued

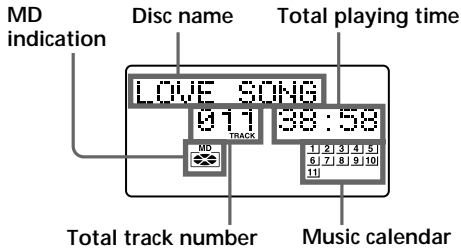
Using the display (continued)

Tip

The disc name or the track name is displayed only with the MDs that have been electronically labelled.

During stop (MD)

The total track number and playing time are displayed.



If the MD has more than 20 tracks, "OVER 20" appears in the display.

To check the remaining recording time on the MD
Press DISPLAY.

The position pointer also appears in the display.

Note

During repeat play (page 19), programme play (page 20) and shuffle play (page 22), the number of tracks left and remaining time on the MD will not be displayed.

During play (MD)

The current track number, playing time and the track name are displayed. The track numbers in the music calendar disappear after they are played.

To check the remaining time, recording date and time, etc.

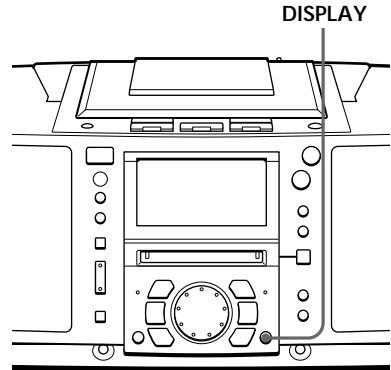
Press DISPLAY.

To display	Press DISPLAY
the current track number, remaining time on the current track and position pointer	once
the number of tracks left, remaining time on the MD and the disc name	twice
recording date and time*	three times
the current track number, playing time and the track name	four times


* Once the clock is set, the recording date and time are stamped automatically (page 53).

Checking CD text information

You can display the CD text (the disc name, the artist name, the track name, etc.) when this information is recorded on the CD.

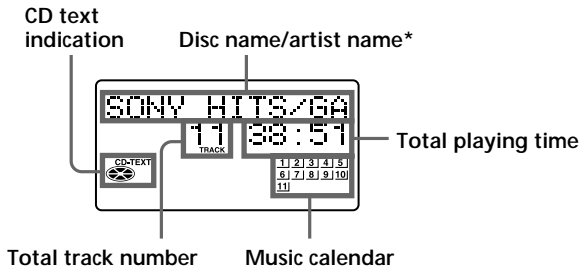


Tips

- 
 This mark appears on the CD, the CD case, etc., when the CD contains text information.
- This player can display up to 1,500 characters of text information per CD. If a CD has text information of more than 1,500 characters, the excess characters will be omitted.

During stop (CD)

The total track number and playing time are displayed.



* If you press DISPLAY once, the position pointer is displayed. If you press it twice, the display returns to the initial one.

During play (CD)

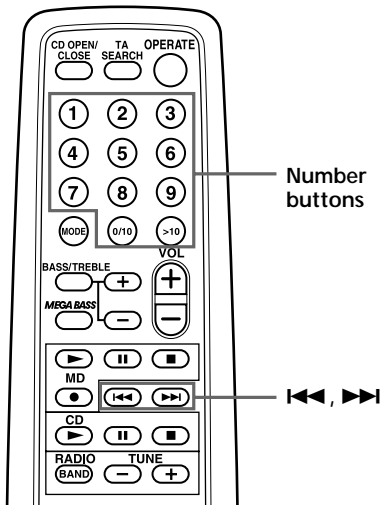
The current track name, the current track number and playing time are displayed.

If you press DISPLAY, indications in the display changes as follows:

To display	Press DISPLAY
the position pointer, the current track number and remaining time on the current track	once
the disc name/artist name, the number of tracks left and remaining time on the CD	twice
the current track name, the current track number and playing time	three times

Locating a specific track

You can quickly locate any track on a CD or an MD using the number buttons on the remote. You can also find a specific point in a track while playing a CD or an MD.



Note

You cannot locate a specific track if "REP PGM", "REP SHUF", "PGM" or "SHUF" is lit in the display. Turn off the indication by pressing ■.

Tips

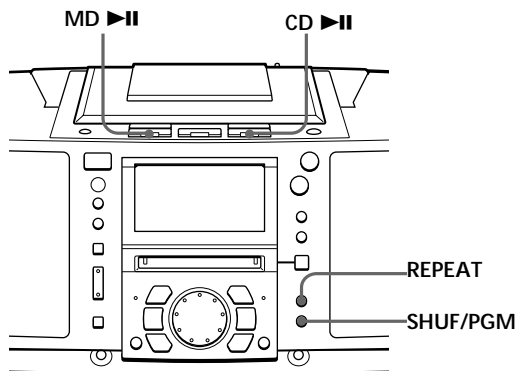
- To locate a track numbered over 10, press >10 first, then the corresponding number buttons.
Example:
To play the track number 23, press >10 first, then 2 and 3.
To play the track number 10, you can use the 0/10 button as well as >10, 1 and 0.
- To select a track on an MD numbered 100 or more, press >10 twice, then the corresponding number buttons.

To locate	Press
a specific track directly	the number button of the track.
a point while listening to the sound	▶▶ (forward) or ◀◀ (backward) while playing and hold down until you find the point. (On the player, use ▶▶ or ◀◀.)
a point while observing the display	▶▶ (forward) or ◀◀ (backward) in pause and hold down until you find the point. (On the player, use ▶▶ or ◀◀.)

Playing tracks repeatedly

(Repeat Play)

You can play tracks repeatedly in normal, shuffle or programme play modes (page 20).



On the remote

During stop, press MODE repeatedly until “REP 1”, “REP ALL”, “REP SHUF” or “REP PGM” appears in the display. Then play the CD or the MD.

You can also select “REP 1” or “REP ALL” during play.

To repeat	Do this
a single track	<ol style="list-style-type: none">1 Play the track you want.2 Press REPEAT until “REP 1” appears in the display.
all the tracks	<ol style="list-style-type: none">1 Start normal play.2 Press REPEAT until “REP ALL” appears in the display.
tracks in random order	<ol style="list-style-type: none">1 Start shuffle play (page 22).2 Press REPEAT until “REP SHUF” appears in the display.
programmed tracks	<ol style="list-style-type: none">1 Start programme play (page 20).2 Press REPEAT until “REP PGM” appears in the display.

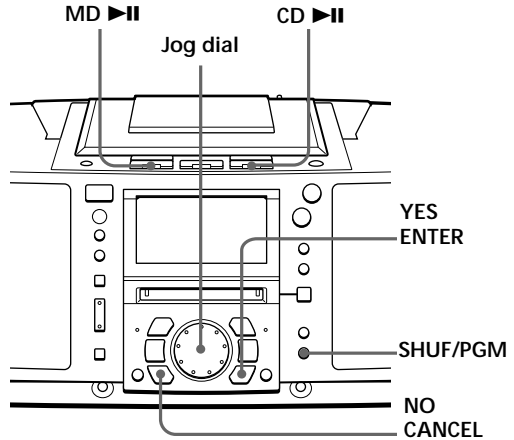
To cancel Repeat Play

Stop play first. Then, press REPEAT until “REP” disappears from the display.

Creating your own programme

(Programme Play)

You can arrange the playing order of up to 20 tracks on a CD or an MD.



On the remote

Press MODE until "PGM" appears in the display, then press the number button to select the track.

Tip

If you made a mistake, press NO • CANCEL and re-enter the track number by turning the jog dial and press YES • ENTER.

Before you begin, make sure that the CD or MD player is in stop mode.

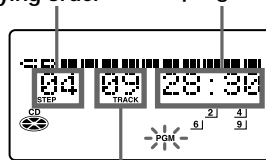
- 1 Press SHUF/PGM until "PGM" appears in the display.
- 2 Turn the jog dial to select the track you want to programme, and press YES • ENTER.

Repeat this step.

Programmed tracks appear in the music calendar.

(In case of CD)

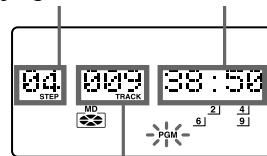
Playing order Total programmed time



Track number

(In case of MD)

Playing order Total programmed time



Track number

- 3 Press CD ►► (or MD ►►) to start programme play.

Tips

- If the programme play is finished, the programme is saved. You can play the same programme again by pressing ►||.
- If you open the lid of the CD compartment, the programme is erased.
- If you take out the MD, the programme is erased.
- During play, total programmed time cannot be displayed.

To cancel Programme Play

Stop play first. Then, press SHUF/PGM until “PGM” disappears from the display.

To check the order of tracks before play

Before starting the programme play, press YES • ENTER.

“PGM Check” appears in the display. Every time you press YES • ENTER, the track number appears in the programmed order.

To change the current programme

Change before starting the programme play.

To	Do this
erase the last track in the programme	<ol style="list-style-type: none"> 1 Press NO • CANCEL. The track programmed last is erased. 2 Re-enter the track numbers by turning the jog dial and pressing YES • ENTER.
change the whole programme completely	<ol style="list-style-type: none"> 1 Press ■ to erase the whole programme. 2 Create a new programme following the programming procedure.

Playing tracks in random order

(Shuffle Play)

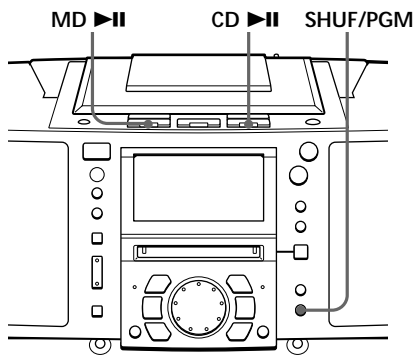
You can play tracks in random order.

Tip

During shuffle play, you cannot select the previous track by turning the jog dial (or by pressing **◀◀** on the remote).

On the remote

Press **MODE** until “SHUF” appears in the display.



Before you begin, make sure that the CD or MD player is in stop mode.

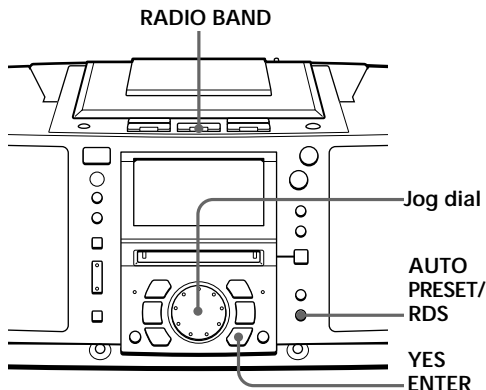
- 1 Press SHUF/PGM until “SHUF” appears in the display.
- 2 Press CD ▶|| (or MD ▶||) to start shuffle play.

To cancel Shuffle Play

Stop play first. Then, press SHUF/PGM until “SHUF” disappears from the display.

Presetting radio stations

You can store radio stations into the player's memory. You can preset up to 30 stations, 10 for each band in any order.



- 1** Press RADIO BAND until the band you want appears in the display.
- 2** Hold down AUTO PRESET/RDS until "Auto Preset" flashes in the display.

The stations are stored in memory from the lower frequencies (from the preset number 1, in numerical order) as long as the station has a signal strong enough.

When you've done presetting, the station stored in the preset number 1 will be tuned in automatically.

On the remote

- 1** Press BAND until the band you want appears in the display.
- 2** Press TUNE + or - until you tune in the station you want.
- 3** Hold down the number button that you want to preset the new station on for 2 seconds.

If a station cannot be preset automatically

You need to preset a station with a weak signal manually. Also, when you want to replace preset stations with a new one, proceed as follows:

- 1** Press RADIO BAND until the band you want appears in the display.
- 2** Press TUNE + or TUNE - repeatedly until you tune in the station you want, and then, hold down YES • ENTER for 2 seconds.
- 3** Select the preset number you want to preset the new station on by turning the jog dial.
- 4** Press YES • ENTER.

The new station replaces the old one.

continued

Presetting radio stations (continued)

The characters you can input

- Uppercase letters:
ABCD.....WXYZ',/:
□ (space)
- Lowercase letters:
abcd.....wxyz',/:
□ (space)
- Numbers and symbols:
0123456789!#"#\$%&()*.,;
<=>? @_`+ -',/:
□ (space)

To label the preset station

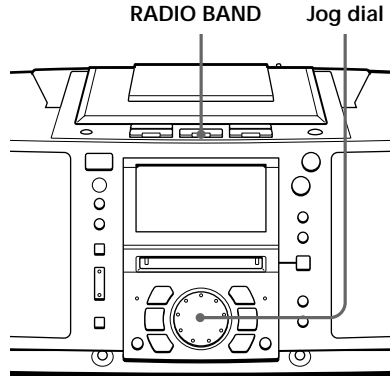
- 1 According to the procedure on page 25, tune in the station you want to label.
- 2 Press EDIT for 2 seconds.
- 3 Input the name of the station (up to 8 characters).
For details, see step 3 on page 50.

To	Do this
move the cursor	Press ← or →.
select the characters	Turn the jog dial.
erase the characters	Press DELETE.
insert the characters	Use INSERT.

- 4 Press YES • ENTER.

Playing preset radio stations

Once you've preset the stations, use the jog dial on the player or the number buttons on the remote to tune in your favorite stations.



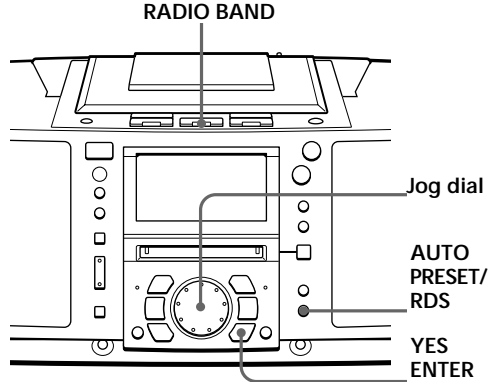
On the remote

- 1 Press BAND until the band you want appears in the display.
- 2 Press the number button to tune in a stored station.

- 1 Press RADIO BAND until the band you want appears in the display.
- 2 Turn the jog dial to display the preset number of the station you want.

Using the Radio Data System (RDS)

Radio Data System (RDS) is a broadcasting service that allows radio stations to send additional information along with the regular programme signal. This player offers convenient RDS features like station name display, location of stations by programme type, etc. RDS is available only on FM stations.



Notes

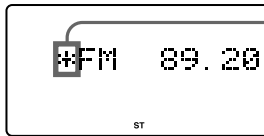
- Not all FM stations provide RDS services, nor do they provide the same type of services. If you are not familiar with the RDS system, check with your local radio stations for details on RDS services in your area.
- RDS may not work properly if the station you are tuned in is not transmitting the RDS signal properly or if the signal strength is weak.

Before receiving RDS broadcasts

Be sure to preset the FM stations according to the procedure on page 23.

Receiving RDS broadcasts

Simply select a station from the FM band.



When you tune in a station that provides RDS services, "*" will be displayed on the left side of the frequency indication.

Notes

- If the RDS broadcast is not received, the station name, programme type and radio text may not appear in the display. In addition, if the receiving conditions are not good, the above information may not appear in the display properly.
- When receiving a station that does not provide the radio text information, "NoRT" will be displayed when you select "RT disp".

To check the RDS information

Press DISPLAY.

Each time you press the button, the indication in the display changes as follows:

Indication	What information it shows
PS disp	Station name, up to 8 characters
PTY disp	Programme type
RT disp	Radio text, up to 64 characters
(normal display)	—

continued

Using the Radio Data System (RDS) (continued)

Monitoring traffic information, news, or weather information (EON)

Using the Enhanced Other Networks (EON) function, the player can automatically switch to a network station broadcasting traffic information, news, or weather information. After the program ends, the player switches back to the station you were listening to.

- 1 Tune in the station that provides the EON function.



When receiving an EON station, **E** is displayed.

- 2 Press AUTO PRESET/RDS.
- 3 Turn the jog dial until "EON Wait" appears in the display.
- 4 Press YES•ENTER.
- 5 Turn the jog dial until the information you want appears in the display.

The display changes as follows: "Traffic" → "News" → "Weather" → "Off"

- 6 Press YES•ENTER.

The player stands by for the EON stations to start broadcasting the information you selected.



Lights up while standing by for the information you selected, and then starts flashing when receiving the information.
"T" for "Traffic"
"N" for "News"
"W" for "Weather"

When a certain network station starts broadcasting the information you selected, it switches to that station automatically.

Monitoring traffic announcement (TA)

Press TA SEARCH on the remote.

If you are not listening to the radio, it turns on automatically.

The player starts searching for a station that will broadcast the traffic information. When it locates the station, it switches to that station automatically and stands by for the traffic information. If you want to select another station, press TA SEARCH again.

If the station the player located provides the EON function, the player automatically switches to another network station when that station starts broadcasting the traffic information.

continued

Using the Radio Data System (RDS) (continued)

Note

“No memory” appears when the programme type that you selected is not currently being broadcast.

Locating a station by programme type (PTY)

You can locate a station you want by selecting a programme type.

- 1** While listening to the radio, press AUTO PRESET/RDS.
- 2** Turn the jog dial until “PTY Search” appears in the display.
- 3** Press YES•ENTER.
- 4** Turn the jog dial until the programme type you want appears in the display.

See the list of programme types (PTY) on pages 29 and 30.

- 5** Press YES•ENTER.

The player starts searching the preset RDS stations for the programme. “PTY Search” is flashing during searching.

When the player finds the programme type you want, it stops searching.

List of programme types (PTY)

Characters in parentheses show the indications in the display.

News (News)

Short accounts of facts, events and publicly expressed views, reportage and actuality.

Current affairs (Affairs)

Topical programme expanding or enlarging upon the news, generally in different presentation style or concept, including debate, or analysis.

Information (Info)

Programme the purpose of which is to impart advice in the widest sense.

Sport (Sport)

Programme concerned with any aspect of sport.

Education (Educate)

Programme intended primarily to educate, of which the formal element is fundamental.

Drama (Drama)

All radio plays and serials.

Culture (Culture)

Programmes concerned with any aspect of national or regional culture, including language, theater, etc.

Science (Science)

Programmes about the natural sciences and technology.

Varied (Varied)

Used for mainly speech-based programmes usually of light-entertainment nature, not covered by other categories. Examples include: quizzes, panel games, personality interviews.

Pop Music (Pop M)

Commercial music, which would generally be considered to be of current popular appeal, often featuring in current or recent record sales charts.

Rock Music (Rock M)

Contemporary modern music, usually written and performed by young musicians.

M.O.R. Music (M.o.R. M)

(Middle of the Road Music). Common term to describe music considered to be “easy-listening”, as opposed to Pop, Rock or Classical. Music in this category is often but not always, vocal, and usually of short duration.

Light classics (Light M)

Classical Musical for general, rather than specialist appreciation. Examples of music in this category are instrumental music, and vocal or choral works.

Serious classics (Classics)

Performances of major orchestral works, symphonies, chamber music, etc., and including Grand Opera.

Other Music (Other M)

Musical styles not fitting into any of the other categories. Particularly used for specialist music of which Rhythm & Blues and Reggae are examples.

Weather (Weather)

Weather reports and forecasts and Meteorological information.

Finance (Finance)

Stock Market reports, commerce, trading, etc.

continued

Using the Radio Data System (RDS) (continued)

Children's programmes (Children)

For programmes targeted at a young audience, primarily for entertainment and interest, rather than where the objective is to educate.

Social Affairs (Social)

Programmes about people and things that influence them individually or in groups. Includes: sociology, history, geography, psychology and society.

Religion (Religion)

Any aspect of beliefs and faiths, involving a God or Gods, the nature of existence and ethics.

Phone In (Phone In)

Involving members of the public expressing their views either by phone or at a public forum.

Travel (Travel)

Features and programmes concerned with travel to near and far destinations, package tours and travel ideas and opportunities. **Not for use for Announcements about problems, delays, or roadworks affecting immediate travel where TP/TA should be used.**

Leisure (Leisure)

Programmes concerned with recreational activities in which the listener might participate. Examples include, Gardening, Fishing, Antique collecting, Cooking, Food & Wine, etc.

Jazz Music (Jazz)

Polyphonic, syncopated music characterised by improvisation.

Country Music (Country)

Songs which originate from, or continue the musical tradition of the American Southern States. Characterized by a straightforward melody and narrative story line.

National Music (Nation M)

Current Popular Music of the Nation or Region in that country's language, as opposed to International 'Pop' which is usually US or UK inspired and in English.

Oldies Music (Oldies)

Music from the so-called "golden age" of popular music.

Folk Music (Folk M)

Music which has its roots in the musical culture of a particular nation, usually played on acoustic instruments. The narrative or story may be based on historical events or people.

Documentary (Document)

Programme concerned with factual matters, presented in an investigative style.

PTY undefined (None)

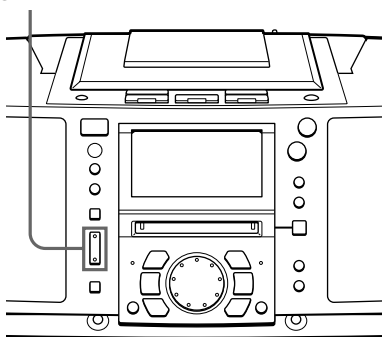
Any programmes not defined above.

Recording the track you are listening to


(Synchronized recording of a single track - REC IT)

You can record the track you are listening to from its beginning using the TO TOP or TO END button.

REC IT
TO TOP
TO END



Notes

-  After you stop recording, do not disconnect the mains lead or move the player while "TOC EDIT" is flashing in the display. If you do so, recording may not be done properly.
- If you turn up the volume too high, sound skipping may occur.

Tips

- To record over the previous recording, see page 38.
- Once the clock is set, the recording date and time are stamped automatically (page 53).
- You can label the track during recording (page 49).

- 1 Insert a recordable MD.
- 2 Insert the CD and play the track you want to record.
- 3 Press TO TOP or TO END of REC IT.

The player goes back to the beginning of the track you are listening to, and starts recording.

When you use a recorded MD:

To record before the previous recording, press TO TOP.

To record after the previous recording, press TO END.

When you use a new MD:

Press either TO TOP or TO END.

When recording is finished, MD player will stop operation automatically but CD player will continue play.

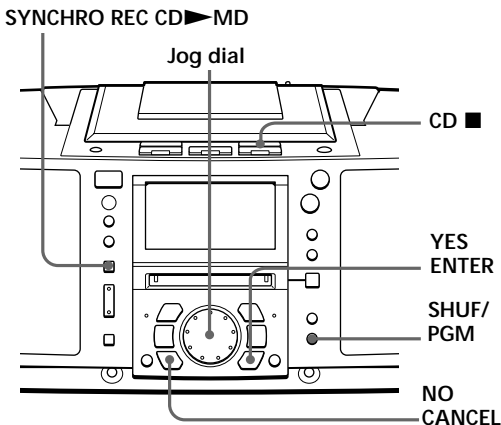
Recording the tracks you programmed

(Synchronized recording of the tracks you programmed)

You can record the tracks you programmed.

Tip

If you made a mistake, press NO • CANCEL and re-enter the track number using the jog dial and YES • ENTER.

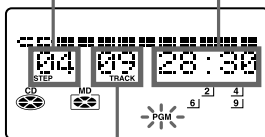


- 1 Insert a recordable MD.
- 2 Insert the CD you want to record and press CD ■.
- 3 Press SHUF/PGM until “PGM” appears in the display.
- 4 Turn the jog dial to select the track you want to programme, and press YES • ENTER.

Repeat this step.

Programmed tracks appear in the music calendar.

Playing order Total programmed time




Programmed track

- 5 Press SYNCHRO REC CD ► MD.

The player starts recording automatically.

If the MD has any previous recording, recording will be made from the last recorded position.

Notes

-  After you stop recording, do not disconnect the mains lead or move the player while "TOC EDIT" is flashing in the display. If you do so, recording may not be done properly.
- If you turn up the volume too high, sound skipping may occur.

Tips

- To record over the previous recording, see page 38.
- Once the clock is set, the recording date and time are stamped automatically (page 53).
- You can label the MD and the track during recording (page 49).

If "CD>MD OK?" alternates with time display

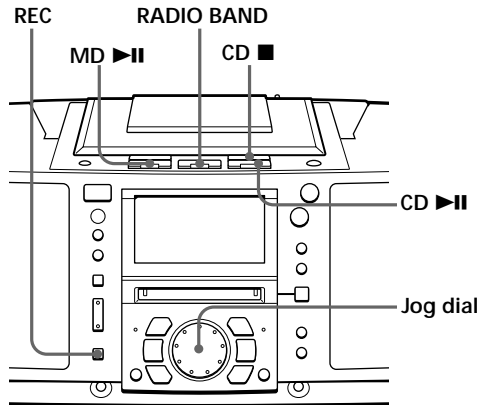
There is not enough space on the MD to record the whole programme.

If it is all right to record as much as possible and cancel recording of some tracks, press YES • ENTER. To stop recording, press NO • CANCEL.

If any other messages are displayed, see page 75.

Recording from the radio or a CD

You can record from the radio or a CD to an MD using the REC button. You can start or stop recording at any point you want. You can also pause recording.



Notes

- **TOC EDIT** After you stop recording, do not disconnect the AC power cord or move the player while "TOC EDIT" is flashing in the display. If you do so, recording may not be done properly.
- While recording from radio, you cannot change the station.
- If you turn up the volume too high, sound skipping may occur.

Tips

- To record over the previous recording, see page 38.
- To add track marks during recording, press REC where you want to add track marks.
- To add track marks after recording, see "Dividing recorded tracks" on page 44.

Recording from the radio

When receiving conditions are good, track marks are added on the MD automatically:

- when there is no sound input during recording for more than 2 seconds.
- when a soft sound like pianissimo continues during recording.
- when you pause recording.

If unnecessary track marks are added, erase them after recording (see "Combining recorded tracks" on page 46).

- 1 Tune in the station you want to record from.
- 2 Insert a recordable MD.
- 3 Press REC (● on the remote).
The player stands by for recording.
- 4 Press MD ►|| (MD ► or MD || on the remote).
Recording will be made from the last recorded position.


To stop recording

Press MD ■.

Tip

When you record a programme of a station whose name is labeled on this player, the station name is recorded automatically as the track name (up to 50 names) (page 24).

Notes

-  After you stop recording, do not disconnect the mains lead or move the player while "TOC EDIT" is flashing in the display. If you do so, recording may not be done properly.
- If you turn up the volume too high, sound skipping may occur.

Tips

- To record over the previous recording, see page 38.
- To add track marks during recording, press REC where you want to add track marks.
- To add track marks after recording, see "Dividing recorded tracks" on page 44.

To pause recording

Press MD ►|| (MD || on the remote). Press the button again to resume recording.

Recording from a CD

Track marks on the source CD are recorded on the same positions on the MD. Track marks are also added automatically on the MD when you pause recording.

If unnecessary track marks are added, erase them after recording (see "Combining recorded tracks" on page 46).

- 1 Insert a CD.
- 2 Press CD ■ to activate the CD player.
- 3 Insert a recordable MD.
- 4 Press REC (● on the remote).
The player stands by for recording.
- 5 Press MD ►|| (MD ► or MD || on the remote).
Recording will be made from the last recorded position.
- 6 Press CD ►||.

To stop recording

Press MD ■.

To pause recording

Press MD ►|| (MD || on the remote). Press the button again to resume recording.

Recording on a recorded MD

There are two ways of recording on a recorded MD.

- To add to the previous recording. The previous recording will remain.
- To record over the previous recording. The previous recording will be erased.

Adding recording (the previous recording will remain)

Insert a recorded MD, and start recording (pages 6, 36 and 37). Recording will be made from the last recorded position.

If there is not enough space on the MD to record

When recording a whole CD, "CD>MD OK?" appears in the display (page 7). When recording from the radio or a CD, press DISPLAY to check the recording remaining time on the MD.

Recording over the previous recording (the previous recording will be erased)

To record over from the beginning of the MD after erasing all tracks on the MD

First, erase all tracks on an MD (page 42). You can use the MD the same as a new one. Then, record on the MD as usual.

To record over from a specific point on the MD

- 1 Play the MD and press MD ►|| to pause play at the point you want to start recording.
- 2 Press REC to make the player in standby mode.
- 3 Play the sound source.
- 4 Press MD ►|| to start recording.

Note

When recording over from a specific point on the MD:

If the new recording is shorter than the previous recording, a part of the previous recording will remain after the recording. As you repeat this type of recording, many fragments of recording will remain on the MD. We recommend that you erase all tracks on the MD (page 42) if you no longer need to keep the recording. Then, start recording on the blank MD.

Before editing

On the MD, track marks are inserted between the tracks. You can find the beginning of the tracks quickly using the track marks. You can change the positions of the track marks. For instance, you can divide a certain track into several tracks by adding track marks. You can also combine some tracks into a new longer track by erasing some track marks.

The position of the track marks to be added are different depending on the type of recording or recording conditions

The type of recording	The position of the track marks to be added
Recording a whole CD (page 6)	The same positions on the source CD
Recording from a CD using REC button (page 37)	<ul style="list-style-type: none"> • The same positions on the source CD • The position where you pause recording • The position where you press REC
Recording from the radio or other equipment connected to the player (pages 36 and 63)	<ul style="list-style-type: none"> • When there is no sound input or a soft sound continues during recording for more than 2 seconds • The positions where you pause recording • The positions where you press REC

You can add or erase track marks after recording. When you record, for instance, from a radio or other equipment connected to the player, track marks may be added to the positions you do not want. If that happens, change the positions of the track marks to those you want.

Change the track marks correctly

- To erase a track mark → “Combining recorded tracks (Combine Function)” (page 46): You can combine two tracks into a single one by erasing the track mark between the two tracks.
- To add a track mark → “Dividing recorded tracks (Divide Function)” (page 44): You can divide one track into two tracks by adding a track mark.

continued

Before editing (continued)

You can also use the following functions

- Erasing a single track → “Erasing recordings (Erase Function)” (page 41)
- Erasing all tracks on an MD → “Erasing recordings (Erase Function)” (page 42)
- Changing the order of the tracks → “Moving recorded tracks (Move Function)” (page 48)
- Locating any point in the track quickly → “Dividing recorded tracks (Divide Function)” (page 44)
- Combining several independently recorded portions into a single track → “Erasing recordings (Erase Function)” (page 41) and “Combining recorded tracks (Combine Function)” (page 46)

Note



After you stop recording, do not disconnect the mains lead or move the player while “TOC EDIT” is flashing in the display. If you do so, recording may not be done properly.

Erasing recordings

(Erase Function)


You can quickly erase the recorded tracks or unnecessary portion in the track. Unlike a cassette-corder, blank portion will not remain after erasure.

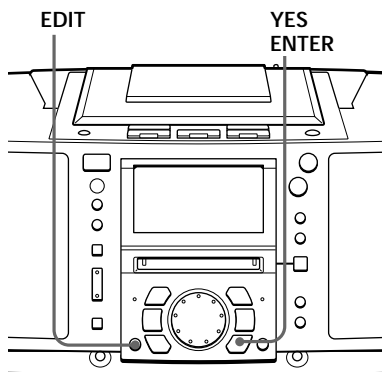
Here are three options to erase recordings:

- Erasing a single track
- Erasing all tracks on an MD
- Erasing a portion of a track

Notes

- If “Protected” appears in the display, the tab on the MD is in the record-protect position (page 67).

-  After you stop recording, do not disconnect the mains lead or move the player while “TOC EDIT” is flashing in the display. If you do so, recording may not be done properly.



Erasing a single track

You can erase a whole track quickly. When you erase a track, the total number of tracks on the MD decreases by one and all tracks following the erased one are renumbered.

- 1** Play the track you want to erase.
- 2** Press EDIT repeatedly until “Track Erase” appears in the display.
- 3** Press YES•ENTER.

“Erase OK?” appears in the display, and one-track repeat play starts. Once you have erased a track, you cannot recover it. Be sure to check the contents of the track you are trying to erase.

If you want to cancel the erase function at this point:

Press NO•CANCEL or MD ■ .

- 4** Press YES•ENTER.

“Complete” appears in the display for a few seconds, and the current track will be erased.

continued

Erasing recordings (Erase Function) (continued)

Note



After you stop recording, do not disconnect the mains lead or move the player while "TOC EDIT" is flashing in the display. If you do so, recording may not be done properly.

Erasing all tracks on an MD

You can erase the disc name, all recorded tracks and their names at the same time. After you have erased all tracks on the MD, you can use it as a new MD.

1 While the player is stopped, press EDIT repeatedly until "All Erase" appears in the display.

2 Press YES•ENTER.

"Erase OK?" appears in the display. Once you have erased a track, you cannot recover it. Be sure to check the contents of the track you are trying to erase.

If you want to cancel the erase function at this point:

Press NO•CANCEL or MD ■ .

3 Press YES•ENTER.

After "TOC EDIT" disappears from the display, "Blank Disc" appears in the display, and all contents on the MD are erased.

Note

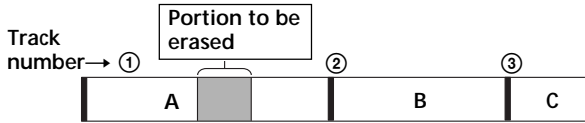


After you stop recording, do not disconnect the mains lead or move the player while "TOC EDIT" is flashing in the display. If you do so, recording may not be done properly.

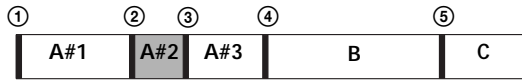
Erasing a portion of a track

By using the Divide (page 44), Erase (page 41) and Combine (page 46) functions, you can erase specific portions of a track.

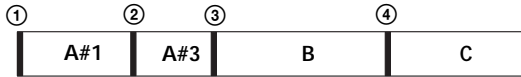
Example: Erasing a portion of track A



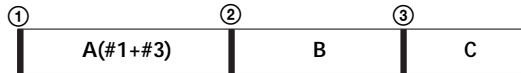
1 Divide A into three parts (page 44).



2 Erase A#2 (page 41).



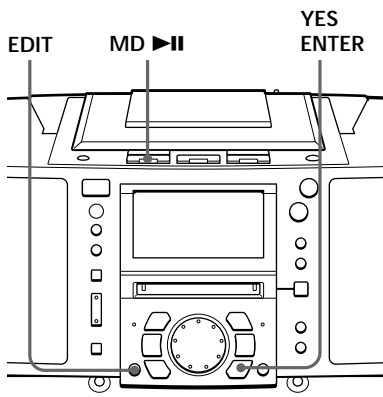
3 Combine A#1 and A#3 (page 46).



Dividing recorded tracks

(Divide Function)

When recording from the radio, etc., track marks may not be added correctly. A number of tracks may be included in a single track. You can divide these tracks into separate tracks, and add a new track mark to each track. All tracks following the divided tracks are renumbered.



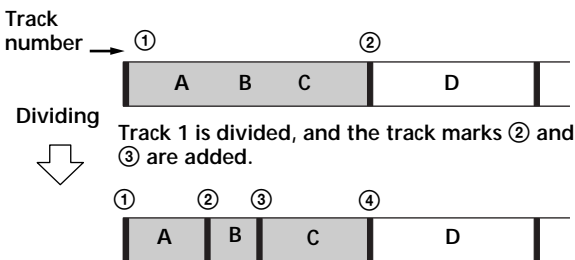
Tips

- To put the divided tracks together, see “Combining recorded tracks” on page 46.
- To divide a track during recording, press REC at the point where you want to add the track mark.

Note

If “Sorry” appears in the display, you cannot divide the track.
If you repeat editing on the MD, you may not be able to divide a track. This is due to the system limitations of the MD (page 68), but not caused by malfunction.

Example: Dividing track 1 into three tracks



- 1** While playing the MD, press MD ►|| the point where you want to create a new track.

The player pauses.

- 2** Press EDIT repeatedly until “Divide” appears in the display.

- 3** Press YES•ENTER.

“Divide OK?” appears in the display.

If you want to cancel the divide function at this point:

Press NO•CANCEL or MD ■ .

Note



After you stop recording, do not disconnect the mains lead or move the player while "TOC EDIT" is flashing in the display. If you do so, recording may not be done properly.

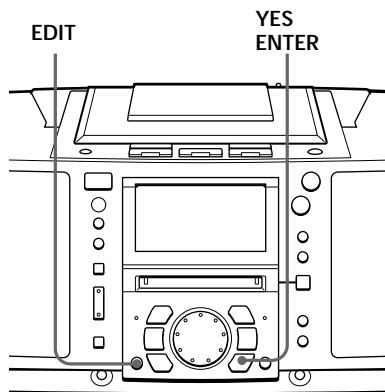
4 Press YES•ENTER.

"Complete" appears in the display for a few seconds after the track is divided. The original track only has the track name, while the new track has no name (this happens only when the track you divided had its track name). One track is added to the music calendar.

Combining recorded tracks

(Combine Function)

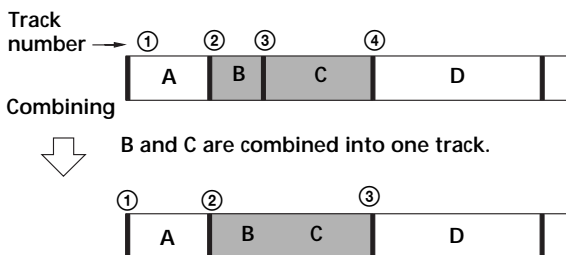
You can combine two adjacent tracks into a single one. Using the combine function, you can combine a number of fragmented recordings or delete the unnecessary track marks. All tracks following the combined track are renumbered.



Notes

- If "Sorry" appears in the display, you cannot combine the tracks. If you repeat editing on the MD, you may not be able to combine the tracks. This is due to the system limitations of the MD (page 68), but not caused by malfunction.
- If "Cannot Edit" appears in the display, you may be trying to combine the tracks on the first track. You cannot use the combine function on the first track.

Example: Combine the tracks B and C



- 1** Play the track you want to combine.
Example: To combine tracks B and C, play the track C.
- 2** Press EDIT repeatedly until "Combine" appears in the display.
- 3** Press YES•ENTER.

"Combine OK?" appears in the display; the player enters the playback pause mode.

If you want to cancel the combine function at this point:

Press NO•CANCEL or MD ■ .

Note



After you stop recording, do not disconnect the mains lead or move the player while "TOC EDIT" is flashing in the display. If you do so, recording may not be done properly.

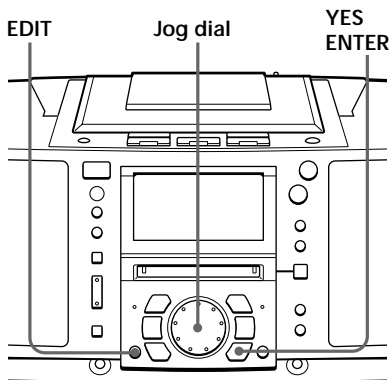
4 Press YES • ENTER.

"Complete" appears in the display for a few seconds after the tracks are combined. If both of the combined tracks had track names, the name of the latter track is erased. The total number of tracks in the music calendar decreases by one.

Moving recorded tracks

(Move Function)

You can change the order of the tracks. After you move the track, the track numbers are renumbered automatically.

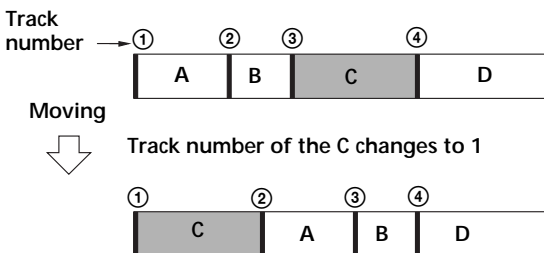


Note



After you stop recording, do not disconnect the mains lead or move the player while "TOC EDIT" is flashing in the display. If you do so, recording may not be done properly.

Example: Moving C to the position of track 1

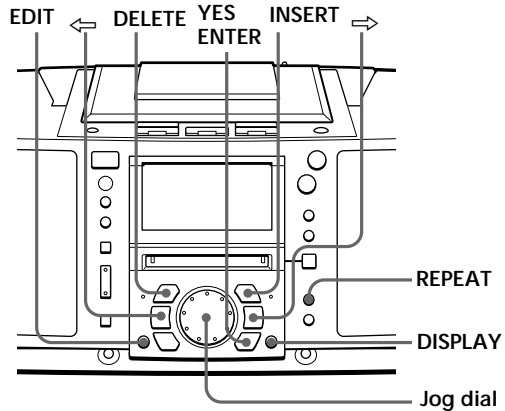


- 1 Play the track you want to move.
- 2 Press EDIT repeatedly until "Track Move" appears in the display.
- 3 Press YES•ENTER.
"→Track 003?" appears in the display, and one-track repeat play starts.
- 4 Turn the jog dial to select the new track position.
If you want to cancel the move function at this point:
Press NO•CANCEL or MD ■ .
- 5 Press YES•ENTER.
"Complete" appears in the display for a few seconds after the track is moved.

Labelling recordings

(Name Function)

Either during recording or after recording, you can label the MDs and the tracks you have recorded with letters, numbers and symbols. You can input up to about 1,700 characters into each MD.



Labelling during recording

- You can label both MDs and tracks during synchronized recording of a whole CD (page 6) or the tracks you programmed (page 34).
- You can label the tracks only during synchronized recording of a single track – REC IT (page 33).

During synchronized recording of a whole CD or the tracks you programmed

You can label an MD or a track with up to 50 characters. You can label up to 30 tracks. If you want to label more than 30 tracks, label the tracks after recording (page 52).

- 1 During recording, press EDIT repeatedly until “Disc Name” or “Track Name” appears in the display, and press YES•ENTER.
When you label an MD, select “Disc Name”.
When you label a track, select “Track Name”.
- 2 When you label a track, turn the jog dial to select a track number in a CD, and press YES•ENTER.
When you label an MD, proceed to step 3.

continued

Notes

- When recording a CD containing CD text information, a track name appears in the display at the time of labelling. Change the name according to step 3 on page 50, if necessary, then press YES•ENTER. The track names that have been labelled on a CD will not be recorded on an MD until you press YES•ENTER to confirm it.
- Certain characters contained in the CD text information (É, à, ñ, ç, ß, [,], etc.) cannot be labelled on the MD. These characters will be labelled as blanks on the MD.

Labelling recordings (Name function) (continued)

The characters you can input

- Uppercase letters:
ABCD.....WXYZ',/:
□ (space)
- Lowercase letters:
abcd.....wxyz',/:
□ (space)
- Numbers and symbols:
0123456789!#\$%&()**,;
<=>? @_`+ -',/:
□ (space)

Note

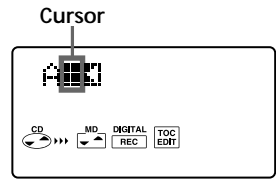


After you stop recording, do not disconnect the mains lead or move the player while "TOC EDIT" is flashing in the display. If you do so, recording may not be done properly.

3 Input the characters using the jog dial.

Turn the jog dial clockwise or counterclockwise to select the character, and press ⇨ to make the cursor shift rightward.

Display



Besides the jog dial, you can use the following buttons:

Button to use	Function
DISPLAY	Each time you press the button, the character changes as follows: Uppercase letters → Lowercase letters → Numbers and symbols.
⇐, ⇨	Move the cursor leftward or rightward.
DELETE	Delete the character marked by the cursor.
INSERT	Make a space between the characters.

4 Repeat step 3 to complete an entire name.

5 Press YES • ENTER.

The name has been labeled on the MD.

Notes

- When recording a CD containing CD text information, a track name appears in the display at the time of labelling. Change the name according to step 3 on page 50, if necessary, then press YES•ENTER. The track names that have been labelled on a CD will not be recorded on an MD until you press YES•ENTER to confirm it.
- Certain characters contained in the CD text information (É, á, ñ, ç, ß, [,], etc.) cannot be labelled on the MD. These characters will be labelled as blanks on the MD.

During REC IT recording

You can label a track name only. You can input up to 100 characters.

- 1** During recording, press EDIT.
The display waits for the input of the characters.
- 2** According to steps 3 and 4 on page 50, label a track.
- 3** Press YES•ENTER.
The name is labelled on the MD.

continued

Labelling recordings (Name function) (continued)

Tip

When using an MD that has been already labeled, a disc name or a track name appears in the display at the time of labelling. Change the name according to step 3 on page 50, if necessary, then press YES • ENTER to confirm the new name.

Labelling after recording

To label an MD or a track, operate as follows. You can input up to 100 characters for each label.

- 1** When you label an MD, insert the MD you want to label and stop operation.

When you label a track, play the track you want to label.

- 2** Press EDIT repeatedly until “Disc Name” or “Track Name” appears in the display, and press YES • ENTER.

When you label an MD, select “Disc Name”.

When you label a track, select “Track Name”.

- 3** Label the MD or the track according to steps 3 and 4 on page 50.

- 4** After completing an entire name, press YES • ENTER.

The name is labelled on the MD.

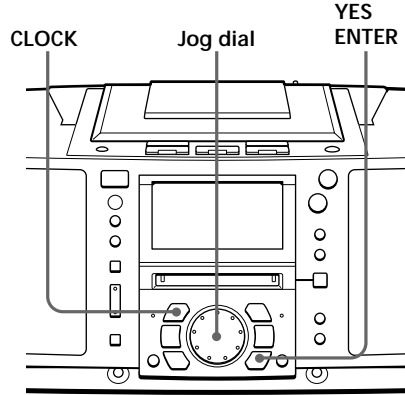
To change the name

According to step 1 on this page, make the disc name or the track name you want to change appear in the display. Replace the old name with a new one, and press YES • ENTER.

Setting the clock

“- y - - m - - d” and “- :- -” indications appear in the display until you set the clock.

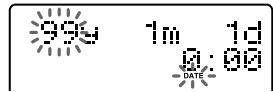
Once the clock is set, the recording date and time are stamped automatically (pages 7, 33 and 35).



Tips

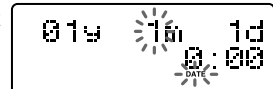
- The time display system of this player is the 24-hour system.
- You can set the clock of this player any time, no matter whether power is on or off.

- 1** Press and hold **CLOCK** until the year digits flash.



- 2** Set the date.

- ① Turn the jog dial to set the year and press **YES•ENTER**.



- ② Turn the jog dial to set the month and press **YES•ENTER**.



- ③ Turn the jog dial to set the day and press **YES•ENTER**.



- 3** Set the time.

- ① Turn the jog dial to set the hour and press **YES•ENTER**.
- ② Turn the jog dial to set the minutes.

continued

Setting the clock (continued)

4 Press YES•ENTER.

The clock starts from 00 seconds.



01w 2m 14d
9:15

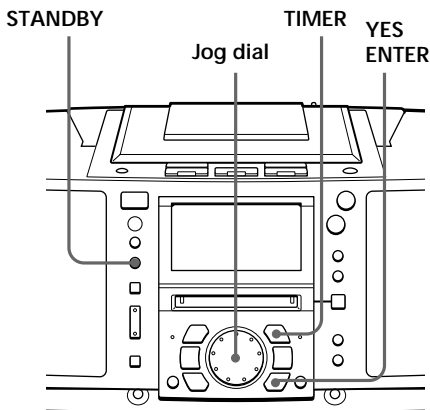
To display the time

Press CLOCK. To go back to the previous display, press CLOCK again. When the power is turned off, the time indication is displayed.

Waking up to music

You can wake up to music or a radio program at a preset time.

Make sure you have set the clock (see “Setting the clock” on page 53).



Notes

- You cannot preset waking up timer and recording timer (page 57) at the same time.
- When playing the sound of the component connected to the LINE IN jack of the player, refer to the operating instructions of the component.

Before you begin, make sure “TIMER PLAY” or “TIMER REC” is not displayed. If either one is displayed, press STANDBY.

1 Prepare the music source you want to play.

Source	Do this
CD	Insert a CD.
MD	Insert an MD.
RADIO	Tune in the station.
LINE	Turn on the equipment connected to LINE IN.

- ## 2 Press TIMER.
- “TIMER PLAY” or “TIMER REC” flashes in the display.



Make the following settings by checking the indications in the display.

- ## 3 Turn the jog dial until “TIMER PLAY” flashes in the display, and press YES•ENTER.
- “MD”, “CD”, “RADIO” or “LINE” flashes in the display.
- ## 4 Turn the jog dial until the music source you want to play (“MD”, “CD”, “RADIO” or “LINE”) appears in the display, and press YES•ENTER.

continued

Waking up to music (continued)

Tip

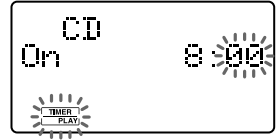
If you made a mistake, press NO•CANCEL. The setting entered last will be cleared. Re-enter it.

Tips

- To exit the standby mode, press STANDBY to make “TIMER PLAY” disappear from the display.
- The preset settings remain until you reset them.
- As long as the ☹ indication appears in the display, the player is in timer mode.

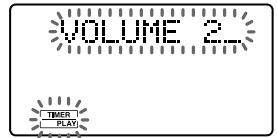
5 Set the timer to the hour and the minutes you want the music to go on.

- ① Turn the jog dial to set the hour and press YES•ENTER.
- ② Turn the jog dial to set the minutes and press YES•ENTER.



6 Set the timer to the hour and the minutes you want the music to go off (Do as step 5.).

7 Turn the jog dial to set the volume you want, and press YES•ENTER.



8 Press STANDBY.

“TIMER PLAY” lights up; the player enters the standby mode.

At the preset time, the power will go on and music will play. Then the power will go off at the preset time, and the player will enter the standby mode again.

To check/change the waking up timer settings

Press TIMER, then press YES•ENTER. Each time you press YES•ENTER, a stored setting is displayed in the set order. To change the setting, display the setting you want to change and re-enter it.

To use the player before a timer playback starts

If you turn on the player, you can use it as usual (in case of the radio, if you listen to the station which is different from the one you tuned in step 1 on page 55, you will hear that station at the preset time). Turn off the player before the preset time.

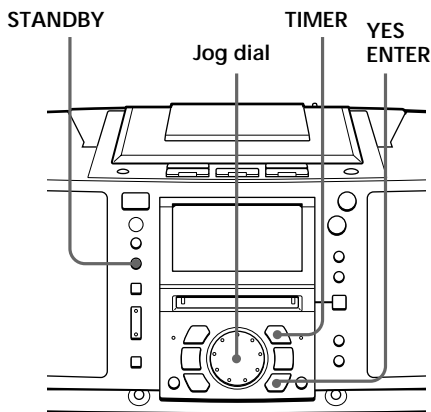
To stop play

Turn off the power.

Timer-recording radio programmes

You can set timer to record the radio at a certain time. You can also record from the component connected to the LINE IN jack of the player.

Make sure you have set the clock (see “Setting the clock” on page 53).



Notes

- You cannot preset recording timer and waking up timer (page 55) at the same time.
- When recording from the component connected to the LINE IN jack of the player, refer to the operating instructions of the component.

Tip

If you made a mistake, press NO•CANCEL. The setting entered last will be cleared. Re-enter it.

Before you begin, make sure “TIMER PLAY” or “TIMER REC” is not displayed. If either one is displayed, press STANDBY.

1 Tune in the radio station and insert an MD.

2 Press TIMER.
“TIMER PLAY” or
“TIMER REC” flashes in
the display.



Make the following settings by checking the indications in the display.

3 Turn the jog dial until “TIMER REC” flashes in the display, and press YES•ENTER.

4 Turn the jog dial until “RADIO” flashes in the display, and press YES•ENTER.

When recording from the component connected to the LINE IN jack of the player, turn the jog dial until “LINE” flashes in the display, and press YES•ENTER.

5 Set the timer to the hour and the minutes you want to start recording.

① Turn the jog dial to set the hour and press YES•ENTER.

② Turn the jog dial to set the minutes, and press YES•ENTER.



continued

Timer-recording radio programmes (continued)

Tips

- To exit the standby mode, press **STANDBY** to make “**TIMER REC**” disappear from the display.
- The preset settings remain until you reset them.
- As long as the ☹ indication appears in the display, the player is in timer mode.

6 Set the timer to the hour and the minutes you want to stop recording. (Do as step 5.)

7 Turn the jog dial to set the volume you want, and press **YES•ENTER**.



8 Press **STANDBY**.

“**TIMER REC**” is displayed, and the player enters the standby mode.

At the preset time, the power will go on and the recording will start. Then the power will go off at the preset time, and the player will enter the standby mode again.

To check/change the recording timer settings

Press **TIMER**, then press **YES•ENTER**. Each time you press **YES•ENTER**, a stored setting is displayed in the set order. To change the setting, display the setting you want to change and re-enter it.

To use the player before a timer-recording starts

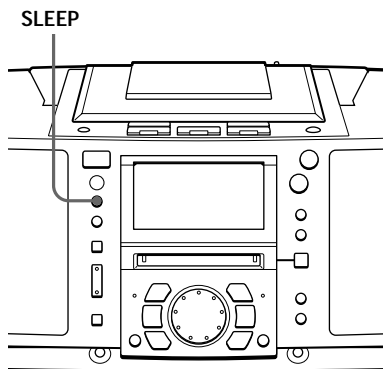
If you turn on the player, you can use it as usual (in case of the radio, if you listen to the station which is different from the one you tuned in step 1 on page 57, you will hear that station at the preset time). Turn off the player before the preset time.

To stop timer-recording

Turn off the power.

Falling asleep to music

You can set the player to turn off automatically after 10, 20, 30, 60, 90 and 120 minutes, allowing you to fall asleep while listening to music.



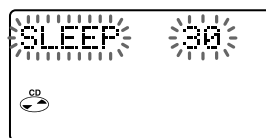
Tips

- You can combine the waking up timer with the sleeping timer. Set the waking up timer first (page 55), turn on the player, and then set the sleeping timer.
- You can prepare the different music for the waking up timer and the sleeping timer. However, you cannot store different radio stations.
- You can set different volume for the waking up timer and the sleeping timer. For instance, you can sleep at lower volume and wake up at higher volume.

- 1** Play the music source you want.
- 2** Press SLEEP until “SLEEP” appears in the display.
- 3** Press SLEEP to select the minutes for the sleeping timer.

Each time you press the button, the indication changes as follows:

“60” → “90” → “120”
→ no indication →
“10” → “20” → “30”.



If 4 seconds have passed after you pressed SLEEP, the minutes in the display are entered.

The preset time has passed, the player goes off automatically.

To cancel the sleep function

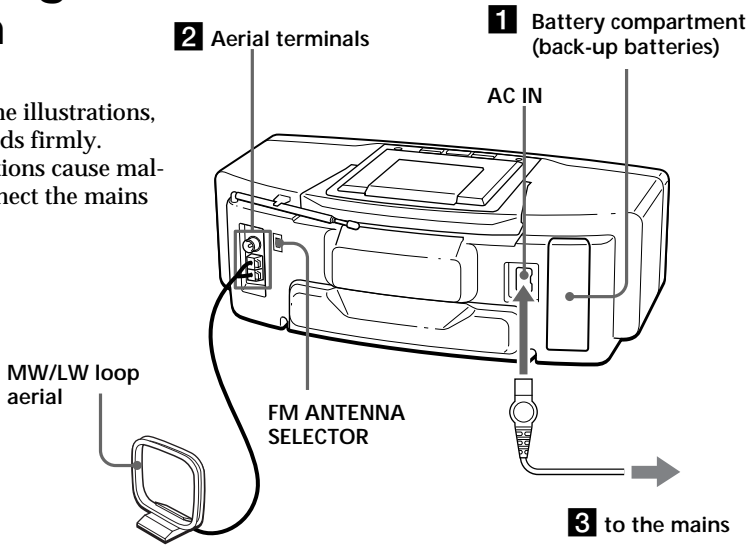
Press SLEEP to make “SLEEP” disappear from the display.

To change the preset time

Do the steps 2 and 3 again.

Preparing the system

According to the illustrations, connect the cords firmly. Wrong connections cause malfunctions. Connect the mains lead last.



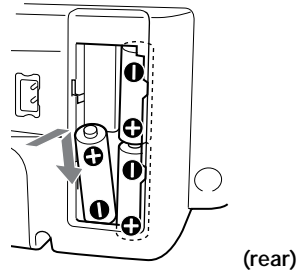
Note

Be sure to turn off the power of the player before connecting/disconnecting the mains lead or removing/inserting batteries.

1 Inserting the back-up batteries

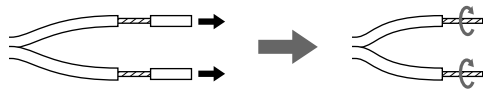
Insert three R6 (size AA) batteries (not supplied) into the battery compartment. These batteries work to save the memory data.

Insert three R6 (size AA) batteries (not supplied)



2 Hooking up the aerial

1 Strip the coating from the end of the cable and twist the wires.

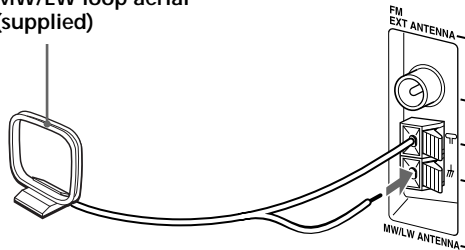


Note

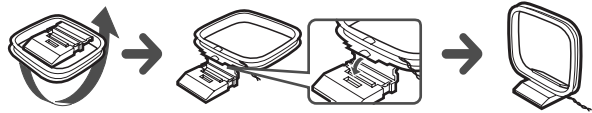
Keep the MW/LW loop aerial away as far as possible from the player. If you do not, noise may be heard.

2 Connect the wires to the terminals.

MW/LW loop aerial*
(supplied)



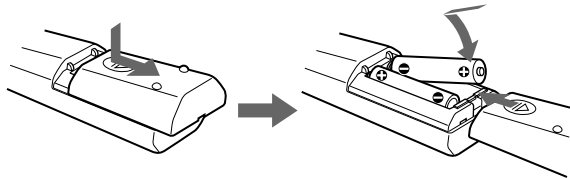
*Reorient the aerial to improve broadcast reception

Setting up the MW/LW loop aerial**Tip**

The sound quality may be changed depending on the polarity of the mains plug. Change the direction of inserting the plug and check the sound quality.

3 Connecting the mains lead

Insert one end of the supplied mains lead to the AC IN socket located at the rear of the player, and the other end to the wall outlet.

4 Inserting batteries into the remote

Insert two R6 (size AA) batteries (not supplied)

Replacing batteries

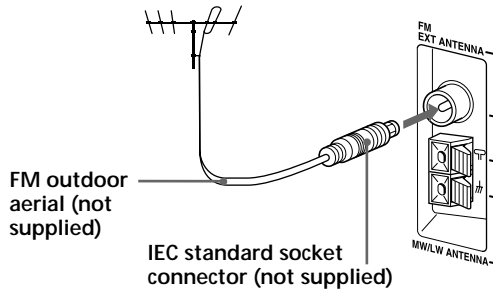
With normal use, the batteries should last for about six months. When the remote no longer operates the player, replace all the batteries with new ones.

continued

Preparing the system (continued)

To improve the FM reception

- ① Connect the FM outdoor aerial (not supplied). If you use a distributor, you can also use the TV aerial.



- ② Set the FM ANTENNA SELECTOR at the rear to “EXT”.

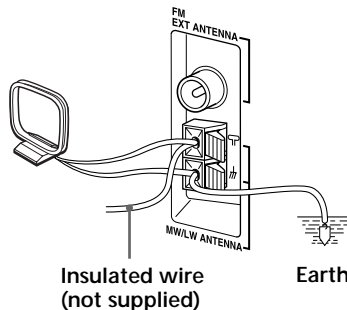


Important

When you use an MW/LW outdoor aerial, be sure to connect the $\#$ terminal to earth against lightning. To prevent a gas explosion, do not connect the ground wire to a gas pipe.

To improve the MW/LW reception

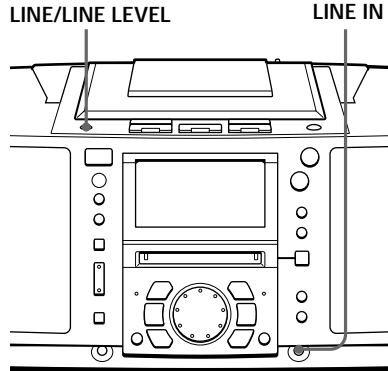
Connect a 6- to 15-meter (20- to 50 feet) (not supplied) insulated wire to the MW/LW ANTENNA terminal. Keep the wire as horizontal as possible near the window or outdoor. You do not need to disconnect the supplied MW/LW loop aerial.



Connecting optional components

You can enjoy the sound from a TV or VCR through the speakers of this player.

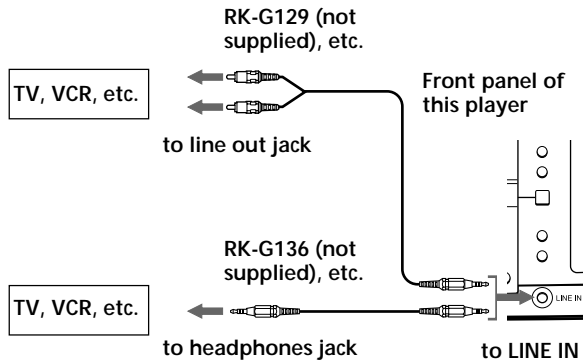
Be sure to turn off the power of each component before making connections. For details, refer to the instructions of the component to be connected.



Note

Connect the cords firmly to avoid any malfunction.

Connecting a TV or a VCR



After finishing the connections, turn on the player, and press LINE/LINE LEVEL on the top panel repeatedly to display "LINE".

continued

Connecting optional components (continued)

Tip

If there is no sound input for more than 2 seconds during recording, a track mark is stamped automatically.

Recording the sound from the connected components

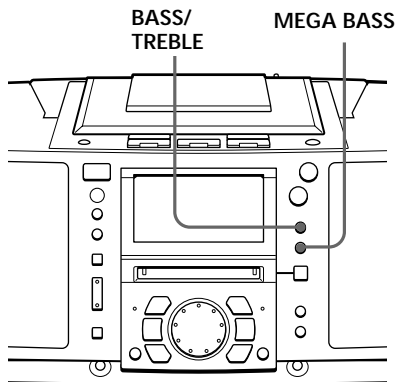
- 1 Insert a recordable MD.
- 2 Press LINE/LINE LEVEL on the top panel to display “LINE”.
- 3 Press REC.
The player stands by for recording.
- 4 Press MD ►||.
Recording starts.
- 5 Play the optional component connected to the LINE IN jack of the player.

If the volume of the component connected to the LINE IN jack is too high

Press LINE/LINE LEVEL to display “Level: High” (“Level: Normal” under the normal conditions) or reduce the volume of the connected component.

Adjusting the audio emphasis

You can adjust the audio emphasis of the bass sound or the bass/treble sound you are listening to.



Reinforcing the bass sound

Press MEGA BASS repeatedly until the setting you want appears in the display.

Each time you press the button, the indication changes as follows: “MEGA BASS Level:1” → “MEGA BASS Level:2” → “MEGA BASS Level:3” → “MEGA BASS Off”.

Bass sound becomes more emphasized in the order of 1 → 2 → 3.

Display

MEGA BASS
Level:1

On the remote

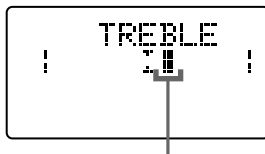
- 1 Press BASS/TREBLE.
- 2 Adjust the sound using + or - button.

Note

When the volume is too high, the sound adjustments may not be effective.

Adjusting the bass/treble sound

- 1 Press BASS/TREBLE until “BASS” or “TREBLE” appears in the display.
- 2 Adjust the bass or treble sound using the jog dial.



As you turn the jog dial, the cursor moves left or right. As the cursor moves rightward, the level will be turned up. As the cursor moves leftward, the level will be turned down.

Precautions

On safety

- As the laser beam used in the CD and MD player section is harmful to the eyes, do not attempt to disassemble the casing. Refer servicing to qualified personnel only.
- Should any solid object or liquid fall into the player, unplug the player, and have it checked by qualified personnel before operating it any further.

On power sources

- The player is not disconnected from the AC power source (mains) as long as it is connected to the wall outlet, even if the player itself has been turned off.
- When the batteries are not to be used, remove them to avoid damage that can be caused by battery leakage or corrosion.
- The nameplate indicating operating voltage, power consumption, etc. is located at the bottom.

On placement

- Do not leave the player in a location near heat sources, or in a place subject to direct sunlight, excessive dust or mechanical shock.
- Do not place anything within 10 mm of the side of the cabinet. The ventilation holes must be unobstructed for the player to operate properly and prolong the life of its components.

- If the player is left in a car parked in the sun, be sure to choose a location in the car where the player will not be subjected to the direct rays of the sun.
- Since a strong magnet is used for the speakers, keep personal credit cards using magnetic coding or spring-wound watches away from the player to prevent possible damage from the magnet.

On operation

- If the player is brought directly from a cold to a warm location, or is placed in a very damp room, moisture may condense on the lenses inside the CD and MD player section. Should this occur, the player will not operate properly. In this case, remove the CD or MD and wait about an hour for the moisture to evaporate.

If you have any questions or problems concerning your player, please consult your nearest Sony dealer.

Notes on CDs

- Before playing, clean the CD with a cleaning cloth. Wipe the CD from the centre out.

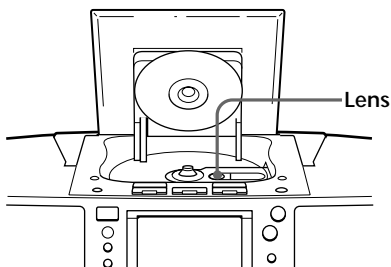


- Do not use solvents such as benzene, thinner, commercially available cleaners or anti-static spray intended for vinyl LPs.
- Do not expose the CD to direct sunlight or heat sources such as hot air ducts, nor leave it in a car parked in direct sunlight as there can be a considerable rise in temperature inside the car.
- After playing, store the CD in its case.

If there is a scratch, dirt or fingerprints on the CD, it may cause tracking error.

Cleaning the lens

If the lens becomes dirty, it may cause a skipping of sound during CD operation. Clean with a commercially available blower.



Cleaning the cabinet

Clean the cabinet, panel and controls with a soft cloth slightly moistened with a mild detergent solution. Do not use any type of abrasive pad, scouring powder, or solvent, such as alcohol or benzene.

Notes on MDs

- Do not open the shutter to expose the MD. Close the shutter immediately if the shutter opens.



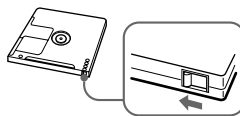
Shutter Cartridge

- Wipe the disc cartridge with a dry cloth to remove dirt.

Protecting a recorded MD

To record-protect an MD, slide open the tab at the side of the MD (so the tab is concealed).

In this position, the MD cannot be recorded. To record on the MD, slide close the tab.



Slide open the tab.

System limitations of the MD

The recording system in your MiniDisc recorder is radically different from those used in cassette and DAT decks and the system has limitations described below. Note, however, that these limitations are due to the inherent nature of the MD recording system itself and not to mechanical causes.

"Disc Full" appears in the display even before the MD has reached the maximum recording time (60 or 74 minutes).

When 254 tracks have been recorded on the MD, "Disc Full" appears regardless of the total recorded time. More than 254 tracks cannot be recorded on the MD. To continue recording, erase unnecessary tracks.

"Disc Full" appears in the display even before the MD has reached the maximum track number or recording time.

Repeated recording and erasing may cause fragmentation and scattering of data. Although those scattered data can be read, each fragment is counted as a track. In this case, the number of tracks may reach 254 and further recording is not possible. To continue recording, erase unnecessary tracks.

The remaining recording time does not increase even after erasing numerous short tracks.

Tracks under 12 seconds long are not counted, so erasing them may not increase the recording time.

Some tracks cannot be combined with others.

Track combination may become impossible when tracks are under 12 seconds long.

The total recorded time and the remaining time on the MD may not reach the maximum recording time (60 or 74 minutes).

Recording is done in minimum units of 2 seconds each, no matter how short the material. The contents recorded may thus be shorter than the maximum recording capacity. Disc space may also be further reduced by scratches.

The sound may dropout while fast-forwarding or rewinding the edited tracks.

Tracks created through editing may exhibit sound dropout during fast-forwarding or rewinding because high-speed playback takes time to search for the position on the disc when the tracks are scattered on the disc.

Guide to the serial copy management system

Digital audio equipment such as CDs, MDs, DATs, etc., copy music easily with high quality, for these products process music as a digital signal. The Serial Copy Management System allows you to make only a single copy of a recorded digital source through digital-to-digital connections because music programmes may be copyrighted.

This system is applied to this player.

You can make only a first-generation copy* through a digital-to-digital connection.

That is :

- 1 You can make a copy of a digital sound programme on the market such as CDs, MDs, etc., but you cannot make a second copy from the first-generation copy.
- 2 You can make a copy of a digital signal from a digitally-recorded analog sound programme on the market such as an analog record, music cassette tape, etc., or from digital satellite broadcasts, but you cannot make a second copy.

Note

No restrictions apply when a digital signal is recorded as an analog signal (that is, when a digital signal is recorded through analog-to-analog connection).

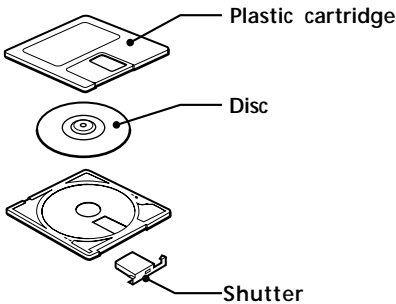
* A first-generation copy is a digital recording of a digital signal made on digital audio equipment through a digital-to-digital connection.
During recording, "DIGITAL REC" appears in the display on this player.

Getting to know the MD

Structure

The 2.5-inch MiniDisc (MD) is compact and easy to handle requiring less care as it is encased in a plastic cartridge that looks like a 3.5-inch diskette (see illustrations below).

Parts making up a MiniDisc



Disc variation

MDs come in two types: pre-mastered (pre-recorded) and recordable (blank). Pre-mastered MDs cannot be recorded on or over like cassette tapes. To record, you must use a "recordable MD."

Pre-mastered MDs

Pre-mastered MDs are recorded and played like regular CDs. A laser beam focus on the pits on the surface of the MD and reflects the information back to the lens in the recorder. The recorder then decodes the signals and plays them back as music.



Recordable MDs

Recordable MDs, which use magneto-optical (MO) technology, can be recorded again and again. The laser inside the recorder applies heat to the MD, demagnetizing the magnetic layer of the MD. The recorder then applies a magnetic field to the layer. This magnetic field corresponds exactly to the audio signals generated by the connected source. (The north and south polarities equate to digital "1" and "0.") The demagnetised MD adopts the polarity of the magnetic field, resulting in a recorded MD.



Features

Long recording

The MD uses a new digital audio compression technology called Adaptive Transform Acoustic Coding (ATRAC).

To store more sound in less space, ATRAC extracts and encodes only those frequency components actually audible to the human ear.

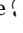

Quick random access

Like CDs, MDs offer instantaneous random access to the beginning of any music track. Pre-mastered MDs are recorded with location addresses corresponding to each music track.

Shock-resistant memory

One major drawback of optical read systems is that they skip or mute the sound when subject to vibration. The MD system resolves this problem by using a buffer memory that stores audio data.

Troubleshooting

	Symptom	Remedy
General	There is no audio.	<ul style="list-style-type: none"> • Press OPERATE to turn on the player. • Connect the mains lead securely. • Adjust the volume. • Unplug the headphones from the  jack when listening through speakers. • Wait until "TOC Reading" disappears from the display.
	The picture of your TV becomes unstable.	<ul style="list-style-type: none"> • Move the player away from the TV.
	Various indications appear in the display one after another.	<ul style="list-style-type: none"> • The player is in the demonstration mode (DISPLAY has been held down for more than 2 seconds). → Hold down DISPLAY for more than 2 seconds to exit the demonstration mode.
CD Player	The CD does not play./"No Disc" lights in the display even when a CD is in place.	<ul style="list-style-type: none"> • Make sure that the CD compartment is closed. • Place the CD with the label surface up. • Clean the CD. • Take out the CD and leave the CD compartment open for about an hour to dry moisture condensation.
	The sound drops out.	<ul style="list-style-type: none"> • Reduce the volume. • Clean the CD, or replace it if the CD is badly damaged. • Place the player in a location free from vibration.
MD Player	An incompletely inserted MD cannot be pulled out.	<ul style="list-style-type: none"> • The MD player's self-lock system has gripped the MD. Insert the MD completely, then press  MD EJECT.
	"Disc Error" lights in the display and the player does not operate.	<ul style="list-style-type: none"> • Take the MD out and insert it again. If "Disc Error" remains, replace the MD. Try erasing all tracks on the MD (page 42).
	The MD does not play.	<ul style="list-style-type: none"> • Take out the MD and leave the player in a warm place for several hours until the moisture evaporates. • The MD is inserted in the wrong direction. Slide the MD into the disc compartment with the label side up and the arrow pointing towards the opening until the player grips it. • The MD may be blank (the music calendar does not appear). Replace the disc with one that has been recorded.

	Symptom	Remedy
MD Player	The MD does not record.	<ul style="list-style-type: none"> • The MD is record-protected ("Protected" appears). Close the record-protect slot. • The track has been protected using another MD recorder ("Trk Protect" appears). Release the track-protect on the same MD recorder that protected the track. • The player is not connected properly to the sound source. Make connections properly to the sound source. • A pre-mastered MD is inserted. Replace it with a recordable MD. • There is not enough space left on the MD. Replace it with another recordable MD with enough space, or erase unnecessary tracks. • There has been a power failure. The mains lead has been disconnected. Data recorded to that point may be lost. Repeat the recording procedure.
	The recorded sound drops out.	<ul style="list-style-type: none"> • The sound was recorded at high volume. Record again at lower volume.
Radio	A stereo programme cannot be received in stereo.	<ul style="list-style-type: none"> • Press MONO/ST until "Stereo" appears in the display (page 11).
	The audio is weak or has poor quality.	<ul style="list-style-type: none"> • The FM stereo broadcast may be noisy (page 11). • Move the player away from the TV. • If you are using the remote while listening to an MW/LW radio, noise may be heard. This is unavoidable. • Move the MW/LW loop aerial away from the player.
Timer	The timer does not operate.	<ul style="list-style-type: none"> • Make sure the time on the clock is correct. • Check to see if the AC power had been cut off. • Make sure "TIMER REC" or "TIMER PLAY" appears in the display. • Check and change the preset start/stop time if both times are set to the same time.

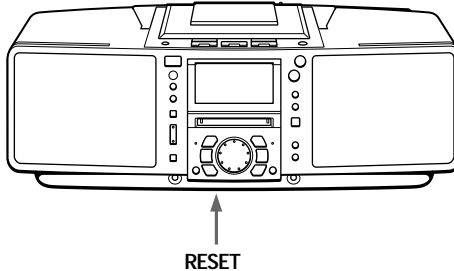
continued

Troubleshooting (continued)

Symptom	Remedy
The remote does not function.	<ul style="list-style-type: none">• Replace all the batteries in the remote with new ones if they are weak (page 61).• Make sure that you are pointing the remote at the remote sensor on the player.• Remove any obstacles in the path of the remote and the player.• Make sure the remote sensor is not exposed to strong light such as direct sunlight or fluorescent lamp light.• Move closer to the player when using the remote.

Remote

Operation may become unstable depending on the power supply or other causes because this player employs a microcomputer to link each operation. If other troubles not described above occur, disconnect the mains lead from the wall outlet, then connect it again after about 20 seconds. If the problem still occurs, press the RESET button at the bottom of the player with a pointed object (in this case, clock set, timer or preset radio stations are reset to the initial settings. Set these items again if you need). If the problem persists, please consult your nearest Sony dealer.



Error messages

If the player cannot perform an MD or a CD operation, one of the following error messages may flash in the display window.

This message will flash	If
Blank Disc	you try to play an MD with no recording on it.
Cannot Edit	you try to use the combine function on the first track of the MD.
Disc Error	you inserted a damaged MD or an MD missing a TOC (information on recording contents).
Disc Full	there is no more space for recording or editing on the MD. (See "System limitations of the MD" on page 68.)
Name Full	the labelling capacity of the MD has reached its limit. Each label can be made up of up to 100 characters. You can input up to about, 1,700 characters into each MD.
No Disc	you try to play or record with no CD or MD in the player.
No MD	you try to play or record with no MD in the player (in case of synchronized recording, etc.).
PB Disc	you try to record or edit on a pre-mastered MD (PB means playback).
Protected	you try to record or edit on an MD with the tab in the record-protect position.
Sorry	you try to edit, ignoring the system limitations of the MD.
Trk Protect	you try to record or edit a track that has been already protected using other MD recorders.
No Text	you have selected the track that has no text information when playing a CD containing CD text information.

Specifications

CD player section

System

Compact disc digital audio system

Laser diode properties

Material: GaAlAs

Wave length: 785 nm

Emission duration: Continuous

Laser output: Less than 44.6 μ W

(This output is the value measured at a distance of about 200 mm from the objective lens surface on the optical pick-up block with 7 mm aperture.)

Spindle speed

200 r/min (rpm) to 500 r/min (rpm) (CLV)

Number of programme positions

2

Frequency response

20 - 20,000 Hz +1/-2 dB

Wow and flutter

Below measurable limit

Radio section

Frequency range

FM: 87.5 - 108 MHz

MW: 531 - 1,602 kHz

LW: 153 - 279 kHz

IF FM: 10.7 MHz

MW/LW: 450 kHz

Aerials

FM: Telescopic aerial

External aerial terminal

MW/LW: External aerial terminals

MD player section

System

Minidisc digital audio system

Disc

MiniDisc

Laser diode properties

Material: GaAlAs

Wave length: 785 nm

Emission duration: Continuous

Laser output: Less than 44.6 μ W

(This output is the value measured at a distance of about 200 mm from the objective lens surface on the optical pick-up block with 7 mm aperture.)

Recording/playback time

Maximum 74 minutes (with MDW-74)

Revolutions

400 rpm to 900 rpm (CLV)

Error correction

Advanced Cross Interleave Reed Solomon Code (ACIRC)

Sampling frequency

44.1 kHz

Coding

Adaptive Transform Acoustic Coding (ATRAC)

Modulation system

EFM (Eight-to-Fourteen Modulation)

Number of programme positions

2 stereo programme positions

Frequency response

20 - 20,000 Hz +1/-2 dB

Signal-to-noise ratio

Over 80 dB (during playback)

Wow and flutter

Below measurable limit

General

Speaker

Full-range : 8 cm (3 in.) dia., 4 ohms cone type (2)

Inputs

LINE IN (stereo minijack): Sensitivity 436 mV/
870 mV

Outputs

Headphones jack (stereo minijack) (1):

For 32 ohms impedance headphones

Maximum power output

7 W + 7 W

Power requirements

For personal minidisc system:

230 V AC, 50 Hz

For back-up memory:

4.5 V DC, 3 R6 (size AA) batteries

For remote controller:

3 V DC, 2 R6 (size AA) batteries

Power consumption

32 W

Dimensions (incl. projecting parts)

approx. 450 \times 164 \times 239.4 mm (w/h/d)

(17 $\frac{3}{4}$ \times 6 $\frac{1}{2}$ \times 9 $\frac{1}{2}$ inches)

Mass

approx. 6 kg (13 lb. 4 oz)

Supplied accessories

Mains lead (1)

Remote controller (1)

MW/LW loop aerial (1)

Optional accessories

Sony MDR headphone series

U.S. and foreign patents licensed from Dolby Laboratories Licensing Corporation.

Design and specifications are subject to change without notice.

Index

A

- Adjusting
 - bass 65
 - treble 65
 - volume 5, 9, 11
- ATRAC 71
- AUTO PRESET 23

B

- Batteries
 - for the remote controller 61

C

- CD player 12
- Checking playing time
 - a CD 12
 - an MD 14
- Cleaning 67
- Clock 53
- Combine function 46
- Connection
 - aerial 61, 62
 - mains lead 61
 - optional components 63
- Creating your own programme 20

D

- Display 12-15
- Divide function 44

E, F

- Editing 39
- EON 28
- Erase function 41
- Error message 75

G

- Getting to know the MD 70

H

- Hookups. *See* Connection

I, J, K

- Improving broadcast reception 11

L

- Listening to the radio 10
- Locating a specific point on a track 18
- Locating a specific track 18

M

- MD player 12
- MEGA BASS 65
- Move function 48

N, O

- Name function 49

P, Q

- Playing
 - a CD 4
 - an MD 8
 - preset radio stations 25
 - tracks repeatedly 19
- Power sources 61
- Presetting radio stations 23
- PTY 30
- Programme Play 20

R

- Radio stations
 - playing 10
 - presetting 23
- RDS 26
- Recording
 - a CD 6, 37
 - on an MD 6, 37, 38
- Repeat Play 19

S

- Serial copy management system 69
- Setting up 60
- Shuffle play 22
- System limitations 68

T

- TA 29
- Text information on a CD 16
- Timer
 - playback 55
 - recording 57
- Troubleshooting 72

U, V, W, X, Y, Z

- Using
 - the display 12-15

Advertencia

Para evitar el riesgo de incendios o electrocución, no exponga el reproductor a la lluvia ni a la humedad.

Para evitar descargas eléctricas, no abra el aparato. Solicite asistencia técnica sólo a personal especializado.

Información



Este reproductor de discos compactos y minidiscos está clasificado como producto láser de Clase 1.

La etiqueta CLASS 1 LASER PRODUCT está situada en la parte inferior.

Advertencia

No instale el aparato en un espacio cerrado, como una estantería para libros o un armario empotrado.

Índice

Operaciones básicas

- 4 Reproducción de CD
- 6 Grabación de un CD completo (Grabación sincronizada)
- 8 Reproducción de MD
- 10 Recepción de la radio

Reproductor de CD•Reproductor de MD

- 12 Uso del visor
- 16 Comprobación de la información de texto del CD
- 18 Localización de temas específicos
- 19 Reproducción repetida de temas (Reproducción repetida)
- 20 Creación de su propio programa (Reproducción de programa)
- 22 Reproducción de temas en orden aleatorio (Reproducción aleatoria)

Radio

- 23 Memorización de emisoras de radio
- 25 Sintonización de emisoras de radio memorizadas
- 26 Uso de RDS (Sistema de datos de radio)

Grabación

- 33 Grabación de los temas que escuche (Grabación sincronizada de un solo tema – REC IT)
- 34 Grabación de temas programados (Grabación sincronizada de los temas programados)
- 36 Grabación de la radio o de un CD
- 38 Grabación en un MD grabado

Edición de temas grabados en el MD

- 39 Antes de editar
- 41 Borrado de grabaciones (Función de borrado)
- 44 División de temas grabados (Función de división)
- 46 Combinación de temas grabados (Función de combinación)
- 48 Desplazamiento de temas grabados (Función de desplazamiento)
- 49 Etiquetado de grabaciones (Función de nombre)

Temporizador

- 53 Ajuste del reloj
- 55 Activación automática de la unidad
- 57 Grabación de programas de radio con temporizador
- 59 Desactivación automática de la unidad

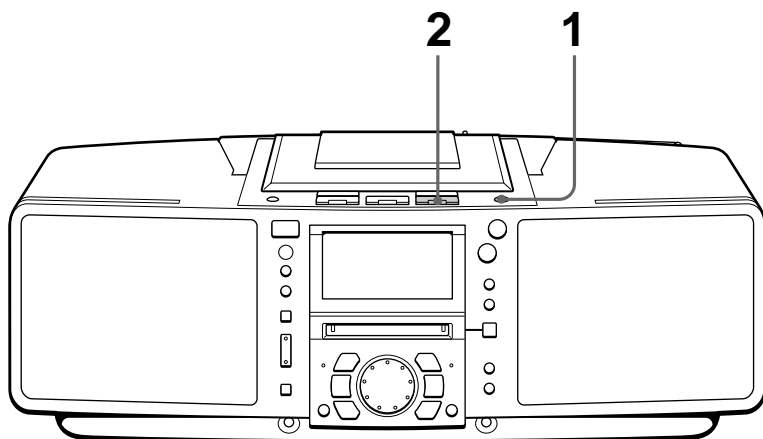
Instalación

- 60 Preparación del sistema
- 63 Conexión de componentes opcionales
- 65 Ajuste del énfasis de sonido

Información complementaria

- 66 Precauciones
- 68 Limitaciones del sistema de MD
- 70 Descripción de los minidiscos
- 72 Solución de problemas
- 75 Mensajes de error
- 76 Especificaciones
- 77 Índice alfabético

Reproducción de CD



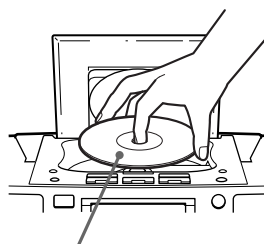
Conecte el cable de alimentación (consulte la página 61).

1

CD OPEN/CLOSE

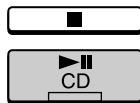


Pulse CD OPEN/CLOSE (activación directa) y coloque el disco en el compartimento de CD.



Con el lado de la etiqueta hacia arriba

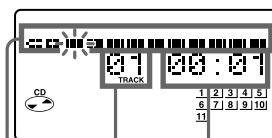
2



Pulse CD (CD en el mando a distancia).

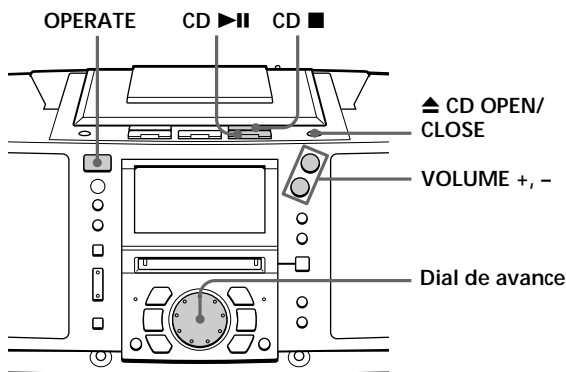
La tapa del compartimento de CD se cierra y el reproductor reproduce todos los temas una vez.

Visor



Puntero de posición Número de tema Tiempo de reproducción

Utilice estos botones para realizar operaciones adicionales



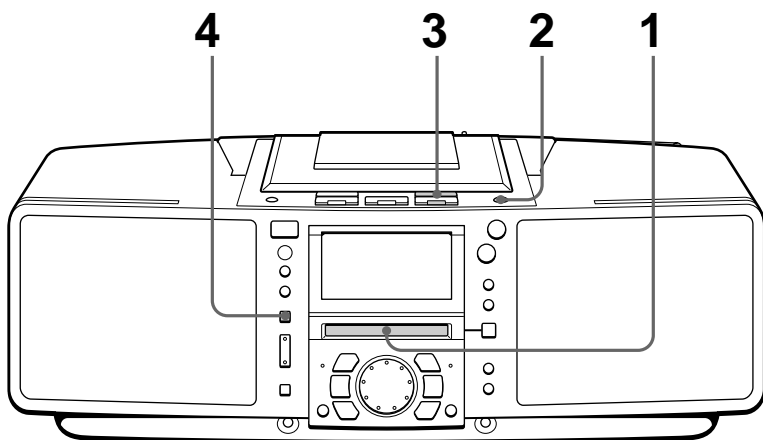
Consejos

- La próxima vez que desee escuchar un CD, bastará con pulsar CD ►||. El reproductor se encenderá automáticamente e iniciará la reproducción del CD.
- ¿Qué es el puntero de posición del visor? Muestra el punto del tema del CD que el reproductor está reproduciendo.
- Al abrir o cerrar la tapa del compartimiento de CD, tenga cuidado para no pillarse los dedos entre la tapa y el reproductor. Si esto ocurre, vuelva a pulsar ▲ CD OPEN/CLOSE para abrir la tapa.

Para	Realice lo siguiente
ajustar el volumen	Pulse VOLUME +, - (VOL +, - en el mando a distancia).
detener la reproducción	Pulse CD ■.
introducir una pausa durante la reproducción	Pulse CD ► (CD en el mando a distancia). Vuelva a pulsar el botón para reanudar la reproducción después de la pausa.
pasar al tema siguiente	Gire el dial de avance en el sentido de las agujas del reloj. (En el mando a distancia, pulse ► .)
retroceder al tema anterior	Gire el dial de avance en sentido contrario a las agujas del reloj. (En el mando a distancia, pulse ◀◀.)
extraer el CD	Pulse ▲ CD OPEN/CLOSE.
encender/apagar el reproductor	Pulse OPERATE.

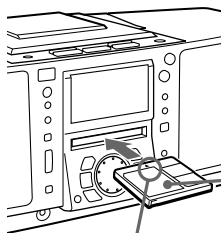
Grabación de un CD completo

(Grabación sincronizada)



Conecte el cable de alimentación (consulte la página 61).

1



Inserte un MD grabable (activación directa).

Con el lado de la etiqueta hacia arriba

Inserte en la dirección de la flecha

Visor



Una vez mostrado "TOC Reading", el nombre del disco aparecerá si se ha etiquetado.

2

CD OPEN/CLOSE



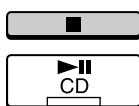
Pulse ▲ CD OPEN/CLOSE y coloque el disco en el compartimiento de CD.

Pulse ▲ CD OPEN/CLOSE de nuevo para cerrar el compartimiento de CD.

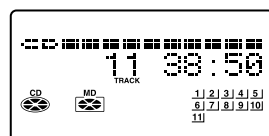


Con el lado de la etiqueta hacia arriba

3



Pulse CD ■.



4

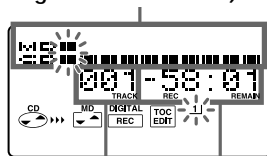
SYNCHRO REC
CD ▶ MD

Pulse SYNCHRO REC CD ▶ MD.

El reproductor inicia la grabación automáticamente.


Si el MD contiene grabaciones anteriores, la grabación se realizará a partir de la última posición grabada.

Puntero de posición (muestra la posición de reproducción en el CD y la de grabación en el MD)



Número de tema del MD Tiempo de grabación restante del MD

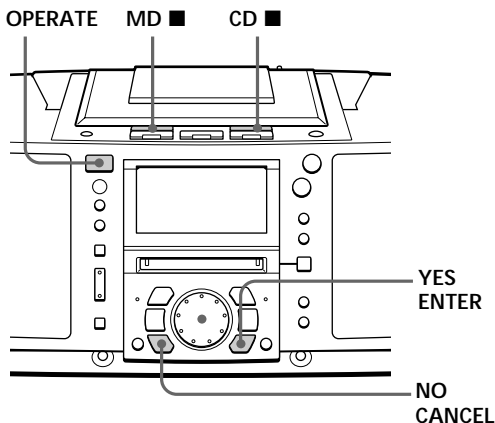
Notas

-  Después de detener la grabación, no desconecte el cable de alimentación de CA ni mueva el reproductor mientras "TOC EDIT" parpadee en el visor. Si lo hace, es posible que la grabación no se realice correctamente.
- Al grabar un CD completo, no es posible realizar pausas durante la grabación.

Consejos

- El ajuste del volumen o del énfasis de sonido (página 65) no afecta al nivel de grabación. Mantenga el volumen a un nivel moderado para evitar que se produzcan saltos de sonido.
- Para grabar sobre grabaciones anteriores, consulte la página 38.
- Una vez ajustado el reloj, se registrarán automáticamente la fecha y hora de grabación (página 53).
- Es posible etiquetar un MD o un tema durante la grabación (página 49).

Utilice estos botones para realizar operaciones adicionales



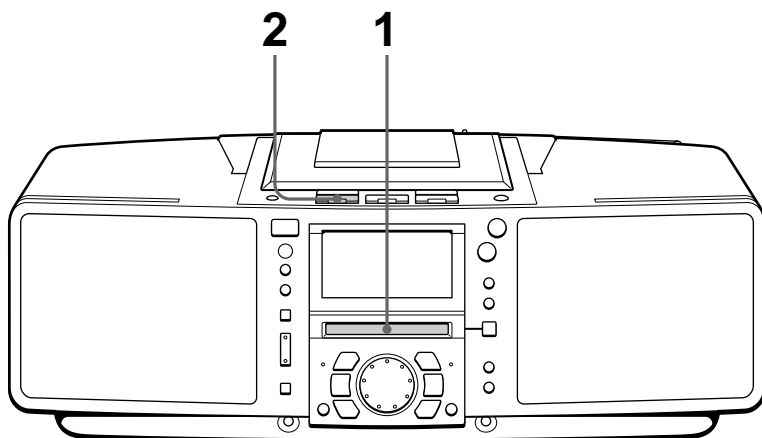
Para	Pulse
detener la grabación	MD ■ o CD ■
encender/apagar el reproductor	OPERATE

Si "CD>MD OK?" se alterna con la indicación de hora Significa que no hay espacio suficiente en el MD para grabar el CD completo.

Si desea grabar el máximo posible y cancelar la grabación de algunos temas, pulse YES•ENTER. Para detener la grabación, pulse NO•CANCEL.

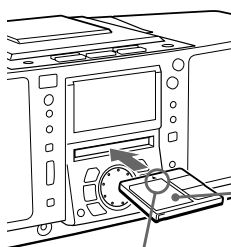
Si aparecen otros mensajes, consulte la página 75.

Reproducción de MD



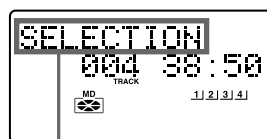
Conecte el cable de alimentación (consulte la página 61).

1



Inserte en la dirección de la flecha

Inserte el MD (activación directa). Visor



Una vez aparezca "TOC Reading", aparecerá el nombre del disco si se ha etiquetado.

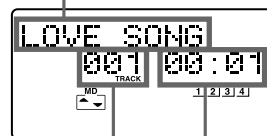
2



Pulse MD ►|| (MD ► en el mando a distancia).

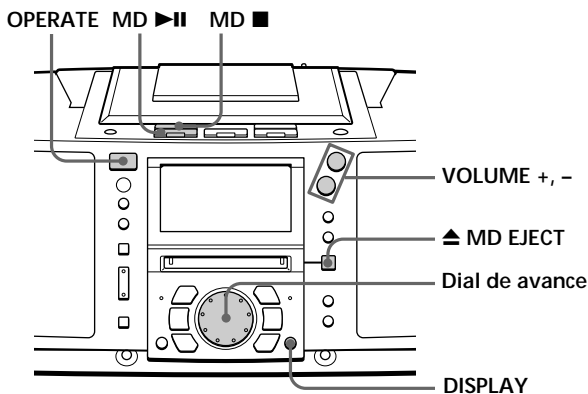
El reproductor reproduce todos los temas una vez.

El nombre del tema aparecerá si se ha etiquetado.



Número del tema Tiempo de reproducción

Utilice estos botones para realizar operaciones adicionales

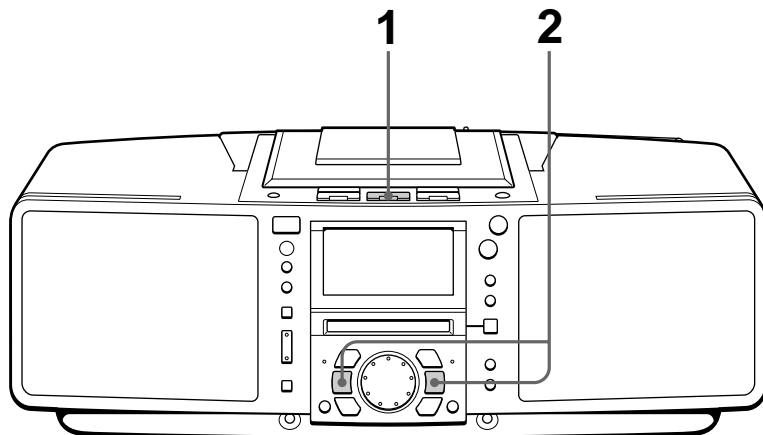


Consejo

La próxima vez que desee escuchar un MD, bastará con pulsar MD ►||. El reproductor se encenderá automáticamente e iniciará la reproducción del MD.

Para	Realice lo siguiente
ajustar el volumen	Pulse VOLUME +, - (VOL +, - en el mando a distancia).
detener la reproducción	Pulse MD ■.
introducir pausas durante la reproducción	Pulse MD ► (MD ► en el mando a distancia). Pulse el botón de nuevo para reanudar la reproducción después de la pausa.
pasar al tema siguiente	Gire el dial de avance en el sentido de las agujas del reloj. (En el mando a distancia, pulse ► .)
retroceder al tema anterior	Gire el dial de avance en sentido contrario a las agujas del reloj. (En el mando a distancia, pulse ◀◀.)
extraer el MD	Pulse ▲ MD EJECT.
encender/apagar el reproductor	Pulse OPERATE.
comprobar la posición de reproducción en el visor mediante el puntero de posición	Pulse DISPLAY.

Recepción de la radio



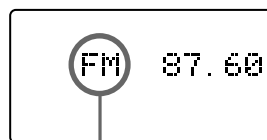
Conecte el cable de alimentación (consulte la página 61).

1



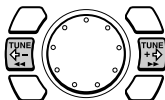
Pulse RADIO BAND hasta que el visor muestre la banda que desee (activación directa).

Visor



Aparece "FM", "MW" o "LW"

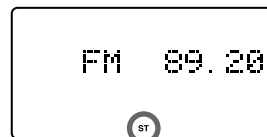
2



Mantenga pulsado TUNE + o TUNE - hasta que los dígitos de frecuencia comiencen a cambiar en el visor.

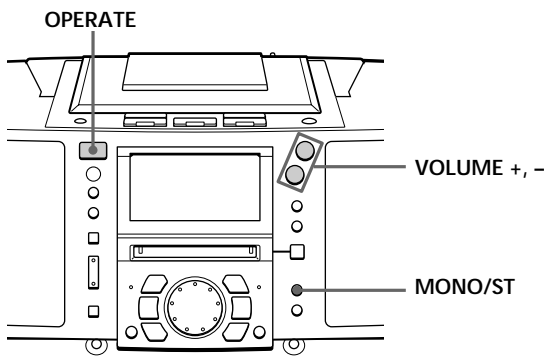
El reproductor explora automáticamente las frecuencias de radio y se detiene al encontrar una emisora con nitidez.

Si no puede sintonizar una emisora, pulse TUNE + o TUNE - varias veces hasta sintonizar la emisora deseada.



Indica emisiones de FM en estéreo

Utilice estos botones para realizar operaciones adicionales



Consejos

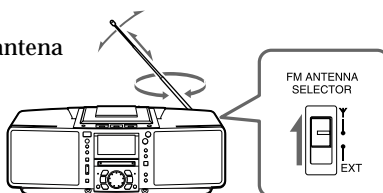
- Si la emisión en FM se oye con ruido, pulse MONO/ST (MODE en el mando a distancia) hasta que "Mono" aparezca en el visor. La emisión se oír en monofónico.
- La próxima vez que dese escuchar la radio, bastará con pulsar el botón RADIO BAND. El reproductor se encenderá automáticamente y reproducirá la emisora previamente sintonizada.

Para	Pulse
ajustar el volumen	VOLUME +, - (VOL +, - en el mando a distancia)
encender/apagar la radio	OPERATE

Para mejorar la recepción de la emisión FM:

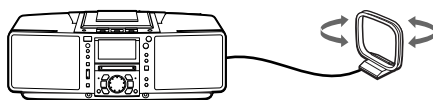
Ajuste el selector FM ANTENNA SELECTOR de la parte posterior del reproductor en "Y" (antena telescópica).

Reoriente la antena para FM.



MW/LW:

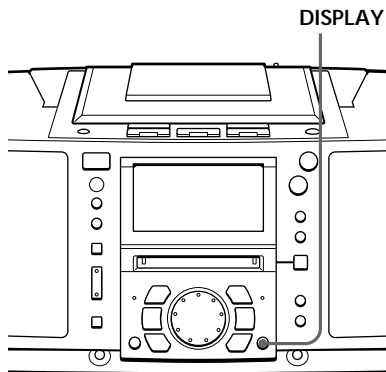
Mantenga la antena cerrada de MW/LW lo más alejada posible del reproductor y reoríentela.



Si la emisión aún se recibe con ruido, conecte la antena externa (página 62).

Uso del visor

Es posible comprobar información sobre el CD y el MD mediante el visor.

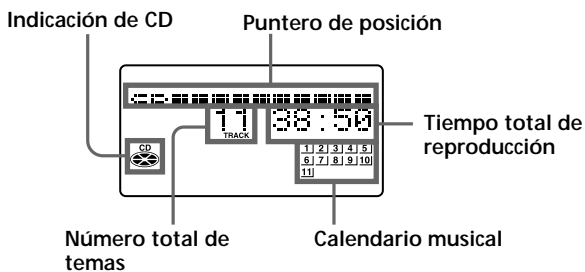


Consejo

Al utilizar CD que contienen información de texto, el título del disco, nombre del artista, etc. aparecen en el visor (página 16).

Durante la parada (CD)

Aparecen el número de temas y el tiempo de reproducción totales.



Si el CD contiene más de 20 temas, el visor mostrará "OVER 20".

Nota

Durante la reproducción repetida (página 19), de programa (página 20) y aleatoria (página 22), el número de temas restantes y el tiempo restante del CD no aparecerán.

Durante la reproducción (CD)

Aparecen el número del tema actual y el tiempo de reproducción. Los números de los temas del calendario musical desaparecen una vez reproducidos.

Para comprobar el tiempo restante

Pulse DISPLAY.

Para mostrar	Pulse DISPLAY
el número del tema actual y el tiempo restante del mismo	una vez
el tiempo y número de temas restantes del CD	dos veces
el tiempo de reproducción y número del tema actual	tres veces

continúa

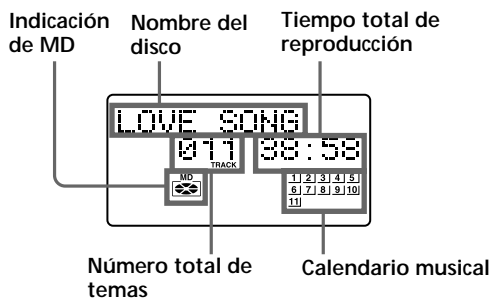
Uso del visor (continuación)

Consejo

El nombre del disco o del tema sólo aparece en el caso de los MD etiquetados electrónicamente.

Durante la parada (MD)

Aparecen el número de temas y tiempo de reproducción totales.



Si el MD contiene más de 20 temas, "OVER 20" aparecerá en el visor.

Para comprobar el tiempo de grabación restante del MD

Pulse DISPLAY.

El puntero de posición también aparece en el visor.

Nota

Durante la reproducción repetida (página 19), de programa (página 20) y aleatoria (página 22), el número de temas restantes y tiempo restante del MD no aparecerán.

Durante la reproducción (MD)

Aparecen el número del tema actual, el tiempo de reproducción y el nombre del tema. Los números de tema del calendario musical desaparecen una vez reproducidos.

Para comprobar el tiempo restante, fecha y hora de grabación, etc.

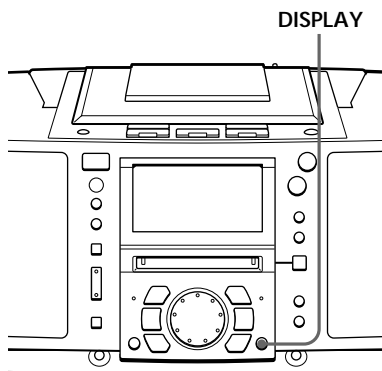
Pulse DISPLAY.

Para mostrar	Pulse DISPLAY
el número del tema actual, tiempo restante del mismo y puntero de posición	una vez
el tiempo y número de temas restantes del MD y nombre del disco	dos veces
fecha y hora de grabación*	tres veces
el número del tema actual, tiempo de reproducción y nombre del tema	cuatro veces


* Una vez ajustado el reloj, la fecha y hora de grabación quedarán registradas automáticamente (página 53).

Comprobación de la información de texto del CD

El texto del CD (los nombres del disco, artista, tema, etc.) podrá mostrarse cuando esta información se haya grabado en el CD.

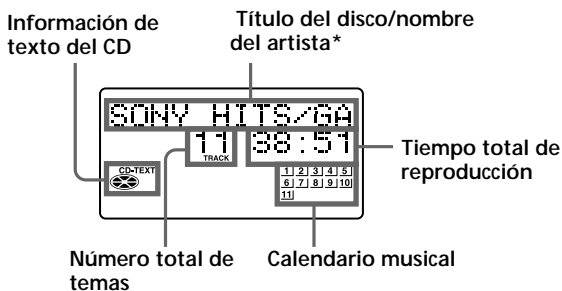


Consejos

-  Esta marca aparece en el CD, estuche de CD, etc., cuando el CD contiene información de texto.
- Este reproductor puede mostrar hasta 1.500 caracteres de información de texto por CD. Si un CD contiene más de 1.500 caracteres de información de texto, se omitirán los caracteres sobrantes.

Durante la parada (CD)

Aparecen el número de temas y el tiempo de reproducción totales.



* Si pulsa DISPLAY una vez, aparece el puntero de posición. Si lo pulsa dos veces, vuelve a aparecer la pantalla inicial.

Durante la reproducción (CD)

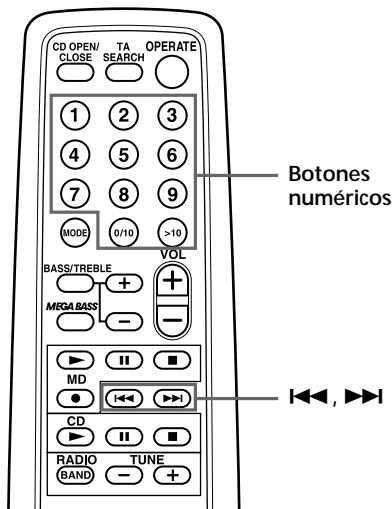
Aparecen el título y número del tema actual y el tiempo de reproducción.

Si pulsa DISPLAY, las indicaciones del visor cambian de la siguiente forma:

Para mostrar	Pulse DISPLAY
el puntero de posición y el número y tiempo restante del tema actual	una vez
el título del disco/nombre del artista, número de temas y tiempo restantes del CD	dos veces
el título y número del tema actual y el tiempo de reproducción	tres veces

Localización de temas específicos

Puede localizar rápidamente cualquier tema de un CD o MD mediante los botones numéricos del mando a distancia. También es posible localizar un punto específico de un tema mientras se reproduce un CD o un MD.



Nota

No es posible localizar un tema específico si “REP PGM”, “REP SHUF”, “PGM” o “SHUF” está iluminado en el visor. Desactive la indicación pulsando ■.

Consejos

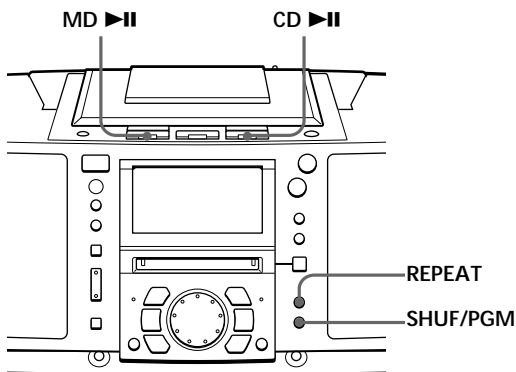
- Para localizar un tema de número superior a 10, pulse >10 primero y, a continuación, los botones numéricos correspondientes.
Ejemplo:
Para reproducir el tema número 23, pulse >10 primero y, a continuación, 2 y 3.
Para reproducir el tema número 10, puede utilizar el botón 0/10, así como >10, 1 y 0.
- Para seleccionar un tema de un MD de número 100 o superior, pulse >10 dos veces y, a continuación, los botones numéricos correspondientes.

Para localizar	Pulse
un tema específico directamente	el botón numérico del tema.
un punto mientras escucha el sonido	▶▶▶ (hacia delante) o ◀◀◀ (hacia atrás) durante la reproducción y manténgalo pulsado hasta que encuentre el punto. (En el reproductor, utilice ▶▶ o ◀◀.)
un punto mientras observa el visor	▶▶▶ (hacia delante) o ◀◀◀ (hacia atrás) en el modo de pausa y manténgalo pulsado hasta que encuentre el punto. (En el reproductor, utilice ▶▶ o ◀◀.)

Reproducción repetida de temas

(Reproducción repetida)

Es posible reproducir temas de forma repetida en los modos de reproducción normal, aleatoria o de programa (página 20).



En el mando a distancia

Durante el modo de parada, pulse MODE repetidamente hasta que “REP 1”, “REP ALL”, “REP SHUF” o “REP PGM” aparezca en el visor. A continuación, reproduzca el CD o el MD.

También puede seleccionar “REP 1” o “REP ALL” durante la reproducción.

Para repetir	Realice lo siguiente
un solo tema	<ol style="list-style-type: none">1 Reproduzca el tema que desee.2 Pulse REPEAT hasta que “REP 1” aparezca en el visor.
todos los temas	<ol style="list-style-type: none">1 Inicie la reproducción normal.2 Pulse REPEAT hasta que “REP ALL” aparezca en el visor.
temas en orden aleatorio	<ol style="list-style-type: none">1 Inicie la reproducción aleatoria (página 22).2 Pulse REPEAT hasta que “REP SHUF” aparezca en el visor.
temas programados	<ol style="list-style-type: none">1 Inicie la reproducción de programa (página 20).2 Pulse REPEAT hasta que “REP PGM” aparezca en el visor.

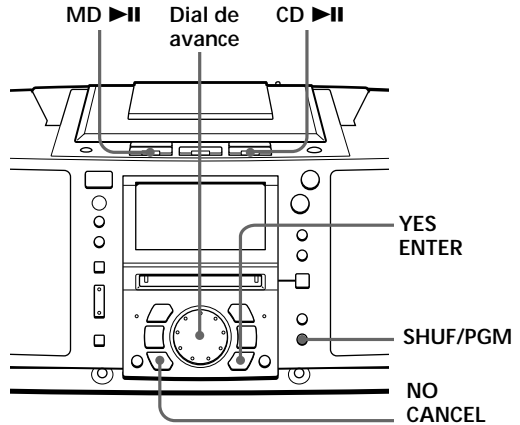
Para cancelar la reproducción repetida

Primero detenga la reproducción. Después, pulse REPEAT hasta que “REP” desaparezca del visor.

Creación de su propio programa

(Reproducción de programa)

Es posible establecer el orden de reproducción de un máximo de 20 temas de un CD o de un MD.



En el mando a distancia
 Pulse MODE hasta que "PGM" aparezca en el visor, y después pulse el botón numérico para seleccionar el tema.

Consejo

Si comete un error, pulse NO • CANCEL y vuelva a introducir el número de tema girando el dial de avance, y pulse YES • ENTER.

Antes de comenzar, compruebe que el reproductor de CD o de MD se encuentre en el modo de parada.

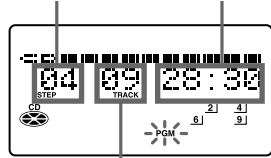
- 1** Pulse SHUF/PGM hasta que "PGM" aparezca en el visor.
- 2** Gire el dial de avance para seleccionar el tema que desee programar, y pulse YES • ENTER.

Repita este paso.

Los temas programados aparecen en el calendario musical.

(En el caso de CD)

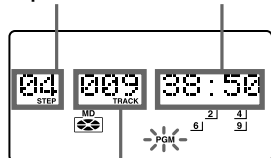
Orden de reproducción Tiempo total programado



Número de tema

(En el caso de MD)

Orden de reproducción Tiempo total programado



Número de tema

Consejos

- Al finalizar la reproducción de programa, éste se almacena. Es posible volver a reproducir el mismo programa pulsando ►II.
- Si abre la tapa del compartimiento de CD, el programa se borrará.
- Si extrae el MD, el programa se borrará.
- Durante la reproducción, no es posible mostrar el tiempo total programado.

3 Pulse CD ►II (o MD ►II) para iniciar la reproducción de programa.

Para cancelar la reproducción de programa

Primero detenga la reproducción. Después, pulse SHUF/PGM hasta que “PGM” desaparezca del visor.

Para comprobar el orden de los temas antes de la reproducción

Antes de iniciar la reproducción de programa, pulse YES•ENTER.

“PGM Check” aparece en el visor. Cada vez que pulse YES•ENTER, aparecerá el número de tema en el orden programado.

Para cambiar el programa actual

Cámbielo antes de iniciar la reproducción de programa.

Para	Realice lo siguiente
borrar el último tema del programa	<ol style="list-style-type: none"> 1 Pulse NO•CANCEL. Se borrará el último tema programado. 2 Vuelva a introducir los números de tema girando el dial de avance y pulsando YES•ENTER.
cambiar todo el programa por completo	<ol style="list-style-type: none"> 1 Pulse ■ para borrar el programa completo. 2 Cree un programa nuevo siguiendo el procedimiento de programación.

Reproducción de temas en orden aleatorio

(Reproducción aleatoria)

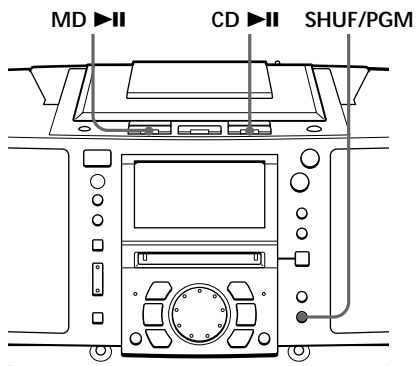
Es posible reproducir temas en orden aleatorio.

Consejo

Durante la reproducción aleatoria, no es posible seleccionar el tema anterior girando el dial de avance (o pulsando **⏪** en el mando a distancia).

En el mando a distancia

Pulse MODE hasta que "SHUF" aparezca en el visor.



Antes de comenzar, compruebe que el reproductor de CD o de MD se encuentre en el modo de parada.

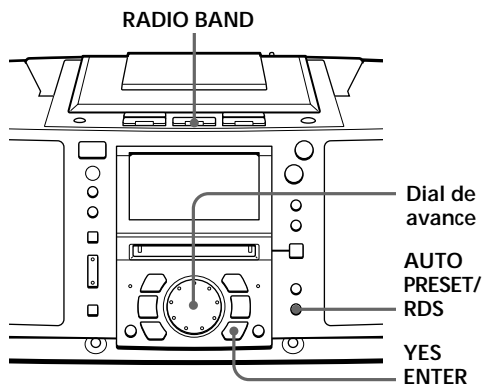
- 1** Pulse SHUF/PGM hasta que "SHUF" aparezca en el visor.
- 2** Pulse CD ▶|| (o MD ▶||) para iniciar la reproducción aleatoria.

Para cancelar la reproducción aleatoria

Primero detenga la reproducción. Después, pulse SHUF/PGM hasta que "SHUF" desaparezca del visor.

Memorización de emisoras de radio

Es posible almacenar un máximo de 30 emisoras de radio en la memoria del reproductor (10 para cada banda) en cualquier orden.



- 1 Pulse RADIO BAND hasta que el visor muestre la banda que desee.
- 2 Mantenga pulsado AUTO PRESET/RDS hasta que "Auto Preset" parpadee en el visor.

Las emisoras se almacenan en la memoria a partir de las frecuencias inferiores (a partir del número de memorización 1, en orden numérico), siempre que la emisora tenga una señal suficientemente intensa.

Cuando finalice el proceso de memorización, la emisora almacenada en el número de memorización 1 se sintonizará automáticamente.

En el mando a distancia

- 1 Pulse BAND hasta que el visor muestre la banda que desee.
- 2 Pulse TUNE + o - hasta sintonizar la emisora que desee.
- 3 Mantenga pulsado durante 2 segundos el botón numérico en el que desee almacenar la nueva emisora.

Si no es posible memorizar alguna emisora automáticamente

Será necesario memorizar manualmente las emisoras de señal débil. Igualmente, si desea sustituir una emisora memorizada con otra nueva, realice lo siguiente:

- 1 Pulse RADIO BAND hasta que la banda que desee aparezca en el visor.
- 2 Pulse TUNE + o TUNE - varias veces hasta sintonizar la emisora que desee y, a continuación, mantenga pulsado YES • ENTER durante 2 segundos.
- 3 Seleccione el número de memorización en el que desee almacenar la nueva emisora; para ello, gire el dial de avance.
- 4 Pulse YES • ENTER.

La nueva emisora sustituye a la anterior.

continúa

Memorización de emisoras de radio (continuación)

Los caracteres que puede introducir

- Letras mayúsculas:
ABCD.....WXYZ',/:
(espacio)
- Letras minúsculas:
abcd.....wxyz',/:
□ (espacio)
- Números y símbolos:
0123456789!'#\$%&()*.,;
<=>?@_+'-'/:
□ (espacio)

Para asignar una etiqueta a la emisora memorizada

- 1 De acuerdo con el procedimiento de la página 25, sintonice la emisora a la que desee asignar nombre.
- 2 Pulse EDIT durante 2 segundos.
- 3 Introduzca el nombre de la emisora (máximo de 8 caracteres).

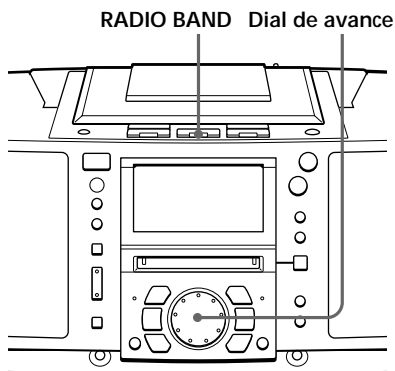
Para más información, consulte el paso 3 en la página 50.

Para	Realice lo siguiente
desplazar el cursor	Pulse <←o →
seleccionar los caracteres	Gire el dial de avance.
borrar caracteres	Pulse DELETE.
insertar caracteres	Utilice INSERT.

- 4 Pulse YES•ENTER.

Sintonización de emisoras de radio memorizadas

Una vez memorizadas las emisoras, emplee los botones numéricos del mando a distancia o el dial de avance del reproductor para sintonizar sus emisoras preferidas.



En el mando a distancia

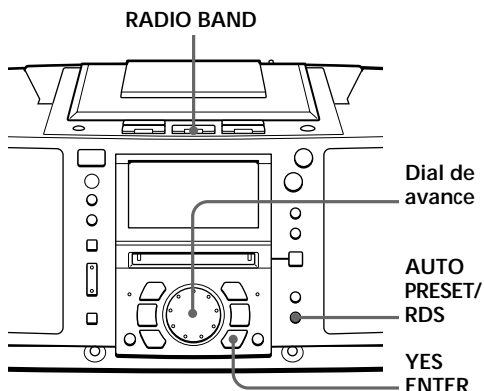
- 1 Pulse BAND hasta que aparezca en el visor la banda deseada.
- 2 Pulse el botón numérico correspondiente para sintonizar una emisora almacenada.

- 1 Pulse RADIO BAND hasta que el visor muestre la banda que desee.
- 2 Gire el dial de avance para mostrar el número de memorización de la emisora deseada.

Uso de RDS

(Sistema de datos de radio)

El Sistema de datos de radio (RDS) es un servicio de emisión que permite a las emisoras de radio enviar información adicional junto con la señal normal de programa. Este reproductor ofrece funciones RDS muy cómodas, como la visualización de nombres de emisoras, localización de emisoras por tipo de programa, etc. RDS sólo está disponible en las emisoras de FM.



Notas

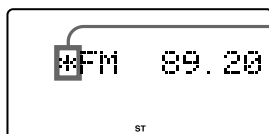
- No todas las emisoras de FM ofrecen servicios RDS ni proporcionan el mismo tipo de servicios. Si no está familiarizado con el sistema RDS, consulte con las emisoras de radio locales para solicitar más información sobre los servicios RDS disponibles en su zona.
- Es posible que RDS no funcione bien si la emisora sintonizada no está transmitiendo correctamente la señal RDS o si ésta es débil.

Antes de recibir emisiones RDS

Asegúrese de memorizar las emisoras de FM siguiendo el procedimiento descrito en la página 23.

Recepción de emisiones RDS

Basta con seleccionar una emisora de la banda de FM.



Si sintoniza una emisora que ofrezca los servicios RDS, "***" aparecerá en la parte izquierda de la indicación de frecuencia.

Notas

- Si no se recibe la emisión RDS, es posible que el nombre de la emisora, el tipo de programa y el texto radiofónico no aparezcan en el visor. Además, si las condiciones de recepción no son buenas, es posible que la información anterior no se muestre adecuadamente en el visor.
- Si se recibe una emisora que no ofrece información del tipo texto radiofónico, cuando seleccione "RT disp" aparecerá "NoRT".

Para comprobar la información RDS

Pulse DISPLAY.

Cada vez que pulse el botón, la indicación del visor cambiará de la manera siguiente:

Indicación	Tipo de información mostrada
PS disp	Nombres de emisoras, hasta 8 caracteres
PTY disp	Tipos de programas
RT disp	Texto radiofónico, hasta 64 caracteres
(visor normal)	—

continúa

Control de la información sobre el tráfico, las noticias o la información meteorológica (EON)

Mediante el uso de la función Enhanced Other Networks (EON), el reproductor puede cambiar automáticamente a una emisora de la red que ofrezca información sobre el tráfico, noticias o información meteorológica. Cuando el programa termine, el reproductor volverá a cambiar a la emisora que estaba escuchando.

- 1 Sintonice la emisora que ofrece la función EON.



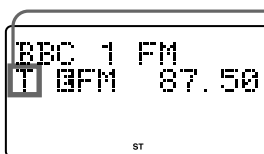
Cuando se reciba la emisora EON, **E** aparecerá en el visor.

- 2 Pulse AUTO PRESET/RDS.
- 3 Gire el dial de avance hasta que "EON Wait" aparezca en el visor.
- 4 Pulse YES•ENTER.
- 5 Gire el dial de avance hasta que la información deseada aparezca en el visor.

El visor cambiará de la siguiente manera: "Traffic" → "News" → "Weather" → "Off"

- 6 Pulse YES•ENTER.

El reproductor entrará en el modo de espera hasta que las emisoras EON empiecen a transmitir la información seleccionada.



Se ilumina a la espera de recibir la información seleccionada y parpadea durante la recepción.
"T" para "Traffic" (Tráfico)
"N" para "News" (Noticias)
"W" para "Weather" (Meteorología)

Cuando una emisora de la red determinada empieza a emitir la información seleccionada, se cambia automáticamente a dicha emisora.

Control de los anuncios de tráfico (TA)

Pulse TA SEARCH en el mando a distancia.

Si no está escuchando la radio, se encenderá automáticamente.

El reproductor realiza una búsqueda para localizar las emisoras que ofrecen la información sobre el tráfico.

Cuando la encuentra, cambia automáticamente a esa emisora y queda a la espera de recibir la información.

Para seleccionar otra emisora, vuelva a pulsar TA SEARCH.

Si la emisora localizada ofrece la función EON, el reproductor cambiará automáticamente a otra emisora de la red cuando esa emisora empiece a emitir la información sobre el tráfico.

continúa

Nota

“No memory” aparece si el tipo de programa seleccionado no se está emitiendo actualmente.

Localización de una emisora por tipo de programa (PTY)

Es posible localizar la emisora que desee seleccionando un tipo de programa.

1 Mientras escucha la radio, pulse AUTO PRESET/RDS.

2 Gire el dial de avance hasta que aparezca “PTY Search” en el visor.

3 Pulse YES•ENTER.

4 Gire el dial de avance hasta que aparezca en el visor el tipo de programa que desee.

Consulte la lista de tipos de programa (PTY) en las páginas 29 y 30.

5 Pulse YES•ENTER.

El reproductor comienza a buscar el programa entre las emisoras RDS memorizadas. “PTY Search” parpadea durante la búsqueda.

Cuando el reproductor encuentra el tipo de programa deseado, finaliza la búsqueda.

Lista de tipos de programa (PTY)

Los caracteres que aparecen entre paréntesis corresponden a las indicaciones del visor.

Noticias (News)

Breves exposiciones de hechos, acontecimientos y puntos de vista expresados públicamente, reportajes y actualidad.

Actualidad (Affairs)

Programa temático que amplía lo expuesto en las noticias, generalmente con un estilo o concepto de presentación diferente, incluido el debate o el análisis.

Información (Info)

Programa cuya finalidad es impartir consejos en el sentido más amplio.

Deporte (Sport)

Programa relacionado con cualquier aspecto del deporte.

Educación (Educate)

Programa cuya principal finalidad es la enseñanza, del cual el elemento formal es fundamental.

Drama (Drama)

Todas las novelas y seriales radiofónicos.

Cultura (Culture)

Programas relacionados con cualquier aspecto de la cultura nacional o regional, incluido el idioma, el teatro, etc.

Ciencia (Science)

Programas sobre las ciencias naturales y la tecnología.

Varios (Varied)

Abarca principalmente los programas de ocio que no entran en las otras categorías. Por ejemplo: concursos, juegos y entrevistas con famosos.

Música pop (Pop M)

Música comercial, generalmente considerada popular en la actualidad, en muchos casos los temas más vendidos actual o recientemente.

Música rock (Rock M)

Música moderna contemporánea, generalmente compuesta e interpretada por músicos jóvenes.

Música fácil de escuchar (M.o.R. M)

("Middle of the Road Music"). Término inglés de uso común para describir la música considerada "fácil de escuchar", a diferencia de la música pop, rock o clásica. La música de esta categoría suele ser cantada y de poca duración.

Música clásica ligera (Light M)

Música clásica para el público general, no los especialistas. Algunos ejemplos de esta categoría incluyen la música instrumental y las obras vocales o corales.

Música clásica (Classics)

Interpretaciones de obras orquestales importantes, sinfonías, música de cámara, etc. También incluye la ópera.

Otra música (Other M)

Estilos musicales que no entran en las demás categorías. Se utiliza sobre todo para los tipos de música especializados, como Rhythm & Blues y Reggae.

Información meteorológica (Weather)

Partes y previsiones meteorológicos.

Economía (Finance)

Informes de bolsa, economía, comercio, etc.

continúa

Uso de RDS (Sistema de datos de radio) (continuación)

Programas infantiles (Children)

Programas dirigidos a un público joven, principalmente programas de ocio y de temas de interés, a diferencia de aquellos cuyo objetivo es didáctico.

Asuntos sociales (Social)

Programas sobre las personas y aquellos factores que les influyen individualmente o en grupos. Incluye temas de sociología, historia, geografía, psicología y sociedad.

Religión (Religion)

Cualquier aspecto de las creencias y la fe relacionado con un Dios o dioses, la naturaleza de la existencia y la ética.

Conversación telefónica (Phone In)

Programas en los que el público puede expresar sus puntos de vista por teléfono o en un foro público.

Viajes (Travel)

Programas relacionados con los viajes a destinos cercanos y lejanos, viajes organizados y oportunidades para viajar. No está destinado a los anuncios sobre problemas, retrasos u obras de carretera que afectan a los viajes inmediatos; para estos casos, debe emplearse TP/TA.

Ocio (Leisure)

Programas relacionados con las actividades recreativas en las que el oyente puede participar. Algunos ejemplos son la jardinería, la pesca, las antigüedades, la cocina, la gastronomía, etc.

Música jazz (Jazz)

Música polifónica y sincopada, caracterizada por la improvisación.

Música country (Country)

Canciones originarias del sur de los Estados Unidos, o que continúan con esta tradición musical. Caracterizadas por una melodía directa y un argumento narrativo.

Música nacional (Nation M)

Música popular actual de la nación o región, en el idioma local, a diferencia del “pop” internacional, que suele estar inspirado en la cultura norteamericana o británica y se interpreta en inglés.

Música de ayer (Oldies)

Música de la llamada “época de oro” de la música pop.

Música folk (Folk M)

Música que tiene sus raíces en la cultura musical de una nación concreta, generalmente interpretada con instrumentos acústicos. La narración o historia puede basarse en acontecimientos o personajes históricos.

Documentales (Document)

Programas que presentan los hechos con el estilo de un reportaje.

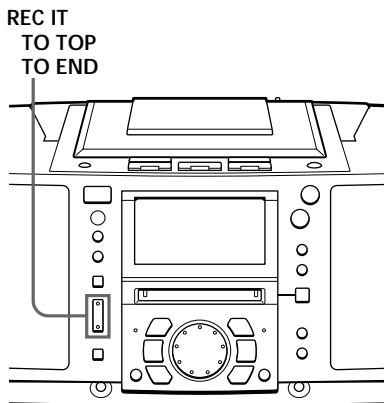
PTY sin definir (None)

Cualquier programa que no se haya definido anteriormente.

Grabación de los temas que escuche

(Grabación sincronizada de un solo tema - REC IT)

Es posible grabar el tema que escuche desde el principio mediante el botón TO TOP o TO END.



Notas

- Después de detener la grabación, no desconecte el cable de alimentación de CA ni mueva el reproductor mientras "TOC EDIT" parpadea en el visor. Si lo hace, es posible que la grabación no se realice correctamente.
- Si aumenta mucho el volumen, es posible que se produzcan saltos de sonido.

Consejos

- Para grabar sobre grabaciones anteriores, consulte la página 38.
- Una vez ajustado el reloj, la fecha y hora de grabación se registran automáticamente (página 53).
- Es posible etiquetar un tema durante la grabación (página 49).

- 1 Inserte un MD grabable.
- 2 Inserte el CD y reproduzca el tema que desee grabar.
- 3 Pulse TO TOP o TO END de REC IT.

El reproductor retrocede al principio del tema que escuche, e inicia la grabación.

Si utiliza un MD grabado:

Para grabar delante de la grabación previa, pulse TO TOP.

Para grabar a continuación de la grabación previa, pulse TO END.

Si utiliza un MD nuevo:

Pulse TO TOP o TO END.

Cuando finalice la grabación, el reproductor de MD detendrá la operación automáticamente, aunque el reproductor de CD continuará con la reproducción.

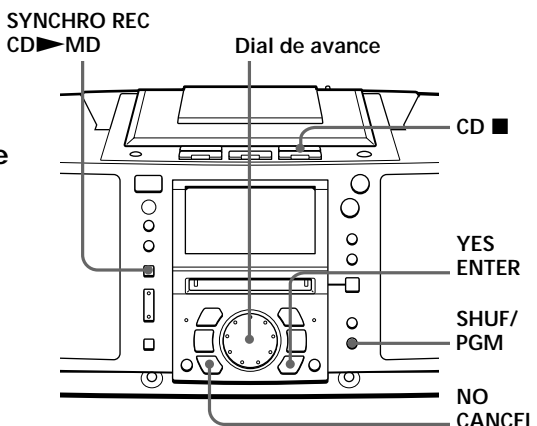
Grabación de temas programados

(Grabación sincronizada de los temas programados)

Es posible grabar los temas programados.

Consejo

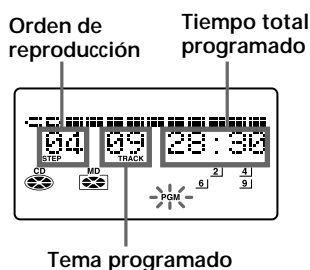
Si comete un error, pulse NO • CANCEL y vuelva a introducir el número de tema mediante el dial de avance y YES • ENTER.



- 1 Inserte un MD grabable.
- 2 Inserte el CD que desee grabar y pulse CD ■.
- 3 Pulse SHUF/PGM hasta que "PGM" aparezca en el visor.
- 4 Gire el dial de avance para seleccionar el tema que desee programar, y pulse YES • ENTER.

Repita este paso.

Los temas programados aparecen en el calendario musical.




- 5 Pulse SYNCHRO REC CD ► MD.

El reproductor inicia la grabación automáticamente.

Si el MD contiene grabaciones anteriores, la grabación se realizará a partir de la última posición grabada.

Notas

-  Después de detener la grabación, no desconecte el cable de alimentación de CA ni mueva el reproductor mientras "TOC EDIT" parpadea en el visor. Si lo hace, es posible que la grabación no se realice correctamente.
- Si aumenta mucho el volumen, es posible que se produzcan saltos de sonido.

Consejos

- Para grabar sobre grabaciones anteriores, consulte la página 38.
- Una vez ajustado el reloj, la fecha y hora de grabación se registran automáticamente (página 53).
- Es posible etiquetar un MD o un tema durante la grabación (página 49).

Si "CD>MD OK?" se alterna con la indicación de hora

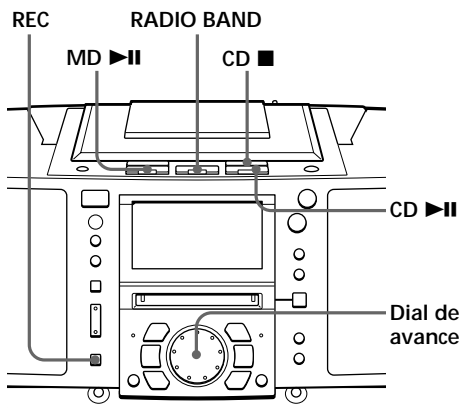
Significa que no hay suficiente espacio en el MD para grabar todo el programa.

Si desea grabar el máximo posible y cancelar la grabación de algunos temas, pulse YES • ENTER. Para detener la grabación, pulse NO • CANCEL.

Si aparecen otros mensajes, consulte la página 75.

Grabación de la radio o de un CD

Es posible grabar de la radio o un CD en un MD mediante el botón REC. Puede iniciar o detener la grabación en el punto que desee. También puede introducir pausas durante la grabación.



Notas

- Después de detener la grabación, no desconecte el cable de alimentación de CA ni mueva el reproductor mientras "TOC EDIT" parpadea en el visor. Si lo hace, es posible que la grabación no se realice correctamente.
- Durante la grabación de la radio, no es posible cambiar la emisora.
- Si aumenta mucho el volumen, es posible que se produzcan saltos de sonido.

Consejos

- Para grabar sobre grabaciones anteriores, consulte la página 38.
- Para añadir marcas de tema durante la grabación, pulse REC donde desee insertar dichas marcas.
- Para añadir marcas de tema después de la grabación, consulte "División de temas grabados" en la página 44.

Grabación de la radio

Si las condiciones de recepción son buenas, se añadirán marcas de tema en el MD automáticamente:

- si durante la grabación no se introduce ningún sonido durante más de 2 segundos.
- si un sonido suave como "pianissimo" continúa durante la grabación.
- si introduce pausas durante la grabación.

Si se añaden marcas de tema innecesarias, bórrelas después de la grabación (consulte "Combinación de temas grabados" en la página 46).

- 1 Sintonice la emisora de la que desee grabar.
- 2 Inserte un MD grabable.
- 3 Pulse REC (● en el mando a distancia).

El reproductor entra en el modo de espera de grabación.

- 4 Pulse MD ▶(MD ▶▶MD ▶▶ del mando a distancia).

La grabación se realizará a partir de la última posición grabada.


Para detener la grabación

Pulse MD ■ .

Consejo

Al grabar un programa desde una emisora cuyo nombre se ha etiquetado con este reproductor, el nombre de la emisora se graba automáticamente como el nombre del tema (hasta 50 nombres) (página 24).

Notas

-  Después de detener la grabación, no desconecte el cable de alimentación de CA ni mueva el reproductor mientras "TOC EDIT" parpadea en el visor. Si lo hace, es posible que la grabación no se realice correctamente.
- Si aumenta mucho el volumen, es posible que se produzcan saltos de sonido.

Consejos

- Para grabar sobre grabaciones anteriores, consulte la página 38.
- Para añadir marcas de tema durante la grabación, pulse REC donde desee insertar dichas marcas.
- Para añadir marcas de tema después de la grabación, consulte "División de temas grabados" en la página 44.

Para introducir pausas durante la grabación

Pulse MD ► MD II en el mando a distancia). Vuelva a pulsar el botón para reanudar la grabación.

Grabación de un CD

Las marcas de tema del CD fuente se graban en las mismas posiciones en el MD. Dichas marcas también se añaden automáticamente en el MD al introducir pausas durante la grabación.

Si se añaden marcas de tema innecesarias, bórrelas después de la grabación (consulte "Combinación de temas grabados" en la página 46).

- 1 Inserte un CD.
- 2 Pulse CD ■ para activar el reproductor de CD.
- 3 Inserte un MD grabable.
- 4 Pulse REC (● en el mando a distancia).
El reproductor entra en el modo de espera de grabación.
- 5 Pulse MD ► (MD ► MD II del mando a distancia).
La grabación se realizará a partir de la última posición grabada.
- 6 Pulse CD ► II

Para detener la grabación

Pulse MD ■ .

Para introducir pausas durante la grabación

Pulse MD ► MD II en el mando a distancia). Vuelva a pulsar el botón para reanudar la grabación.

Grabación en un MD grabado

Existen dos métodos para grabar en un MD grabado.

- Adición de grabaciones a la grabación previa. Ésta se conservará.
- Grabación sobre grabaciones previas. Éstas se borrarán.

Adición de grabaciones (la grabación previa se conserva)

Inserte un MD grabado, e inicie la grabación (páginas 6, 36 y 37). La grabación se realizará a partir de la última posición grabada.

Si no hay suficiente espacio en el MD para grabar

Al grabar un CD completo, “CD>MD OK?” aparece en el visor (página 7). Al grabar de la radio o un CD, pulse DISPLAY para comprobar el tiempo restante de grabación en el MD.

Grabación sobre grabaciones previas (éstas se borrarán)

Para grabar desde el principio del MD después de borrar todos los temas del MD

Primero, borre todos los temas del MD (página 42). Puede utilizar el MD de la misma forma que uno nuevo. A continuación, grabe en el MD de la forma habitual.

Para grabar a partir de un punto específico del MD

- 1 Reproduzca el MD y pulse MD ►► para introducir una pausa en la reproducción en el punto donde desee iniciar la grabación.
- 2 Pulse REC para ajustar el reproductor en el modo de espera.
- 3 Reproduzca la fuente de sonido.
- 4 Pulse MD ►► para iniciar la grabación.

Nota

Cuando grabe a partir de un punto específico del MD:

Si la longitud de la nueva grabación es inferior que la de la grabación previa, se conservará parte de ésta. Al repetir este tipo de grabación, se conservarán muchos fragmentos de grabación en el MD. Se recomienda borrar todos los temas del MD (página 42) si no es necesario conservar la grabación. A continuación, comience a grabar en el MD en blanco.

Antes de editar

En el MD, las marcas de temas se insertan entre los temas. Es posible encontrar el principio de éstos rápidamente mediante dichas marcas. Puede cambiar las posiciones de las marcas de tema. Por ejemplo, puede dividir un determinado tema en varios mediante la adición de marcas. También es posible combinar varios temas para obtener otro nuevo más extenso mediante la eliminación de varias marcas de temas.

La posición de las marcas de tema que se añaden es diferente en función del tipo de grabación o de las condiciones de ésta

Tipo de grabación	Posición de las marcas de tema que se añaden
Grabación de un CD completo (página 6)	Las mismas posiciones en el CD fuente
Grabación de un CD mediante el botón REC (página 37)	<ul style="list-style-type: none"> • Las mismas posiciones en el CD fuente • La posición en la que introduzca pausas durante la grabación • La posición donde pulse REC
Grabación de la radio o de otro equipo conectado al reproductor (páginas 36 y 63)	<ul style="list-style-type: none"> • Cuando no se introduce sonido o un sonido suave continúa durante más de 2 segundos mientras graba • Las posiciones en las que introduzca pausas durante la grabación • Las posiciones donde pulse REC

Es posible añadir o borrar marcas de tema después de la grabación. Al grabar, por ejemplo, de la radio o de otro equipo conectado al reproductor, es posible que se añadan marcas de tema en posiciones que no desee. Si esto ocurre, cambie las posiciones de las marcas a las que desee.

Cambie las marcas de tema correctamente

- Para borrar una marca de tema → “Combinación de temas grabados (Función de combinación)” (página 46): Es posible combinar dos temas en uno solo borrando la marca existente entre los dos temas.
- Para añadir una marca de tema → “División de temas grabados (Función de división)” (página 44): Es posible dividir un tema en dos temas añadiendo una marca de tema.

continúa

Antes de editar (continuación)

También es posible utilizar las siguientes funciones

- Borrado de un solo tema →“Borrado de grabaciones (Función de borrado)” (página 41)
- Borrado de todos los temas de un MD →“Borrado de grabaciones (Función de borrado)” (página 42)
- Cambio del orden de los temas → “Desplazamiento de temas grabados (Función de desplazamiento)” (página 48)
- Localización de un punto del tema rápidamente →“División de temas grabados (Función de división)” (página 44)
- Combinación de varias partes grabadas independientemente en un solo tema →“Borrado de grabaciones (Función de borrado)” (página 41) y “Combinación de temas grabados (Función de combinación)” (página 46)

Nota



Después de detener la grabación, no desconecte el cable de alimentación de CA ni mueva el reproductor mientras “TOC EDIT” parpadea en el visor. Si lo hace, es posible que la grabación no se realice correctamente.

Borrado de grabaciones

(Función de borrado)

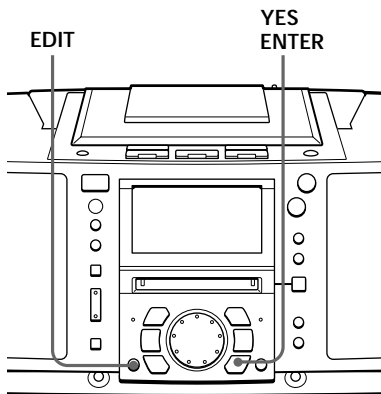
Es posible borrar rápidamente los temas grabados o partes innecesarias del tema. Al contrario de lo que ocurre con las grabadoras de cassettes, las partes en blanco no se conservan después del borrado.

A continuación, se ofrecen tres opciones para borrar grabaciones:

- Borrado de un solo tema
- Borrado de todos los temas de un MD
- Borrado de una parte de un tema

Notas

- Si “Protected” aparece en el visor, significa que la lengüeta del MD se encuentra en la posición de protección contra grabación (página 67).
- **TOC EDIT** Después de detener la grabación, no desconecte el cable de alimentación de CA ni mueva el reproductor mientras “TOC EDIT” parpadea en el visor. Si lo hace, es posible que la grabación no se realice correctamente.



Borrado de un solo tema

Es posible borrar rápidamente un tema completo. Al borrarlo, el número total de temas del MD disminuye en uno y todos los temas a continuación del borrado se reenumeran.

- 1** Reproduzca el tema que desee borrar.
- 2** Pulse EDIT varias veces hasta que “Track Erase” aparezca en el visor.
- 3** Pulse YES•ENTER.
“Erase OK?” aparece en el visor, y se inicia la reproducción repetida de un solo tema. Una vez borrado el tema, no es posible recuperarlo. Asegúrese de comprobar el contenido del tema que vaya a borrar.
Si desea cancelar la función de borrado en este punto:
Pulse NO•CANCEL o MD ■.
- 4** Pulse YES•ENTER.
“Complete” aparece en el visor durante unos segundos, y el tema actual se borrará.

continúa

Nota



Después de detener la grabación, no desconecte el cable de alimentación de CA ni mueva el reproductor mientras "TOC EDIT" parpadea en el visor. Si lo hace, es posible que la grabación no se realice correctamente.

Borrado de todos los temas de un MD

Es posible borrar simultáneamente el nombre del disco, todos los temas grabados y sus nombres. Una vez borrados todos los temas del MD, puede utilizarlo como un MD nuevo.

1 Con el reproductor parado, pulse EDIT varias veces hasta que "All Erase" aparezca en el visor.

2 Pulse YES•ENTER.

"Erase OK?" aparece en el visor. Una vez borrado el tema, no es posible recuperarlo. Asegúrese de comprobar el contenido del tema que vaya a borrar.

Si desea cancelar la función de borrado en este punto:

Pulse NO•CANCEL o MD ■.

3 Pulse YES•ENTER.

Cuando "TOC EDIT" desaparezca del visor, aparecerá "Blank Disc", y todo el contenido del MD se borrará.

Nota

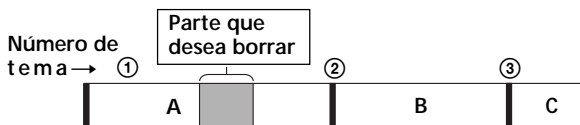
**TOC
EDIT**

Después de detener la grabación, no desconecte el cable de alimentación de CA ni mueva el reproductor mientras "TOC EDIT" parpadea en el visor. Si lo hace, es posible que la grabación no se realice correctamente.

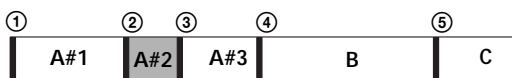
Borrado de una parte de un tema

Mediante el empleo de las funciones de división (página 44), borrado (página 41) y combinación (página 46), es posible borrar partes específicas de un tema.

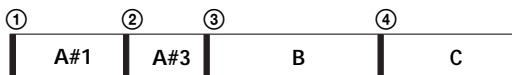
Ejemplo: Borrado de una parte del tema A



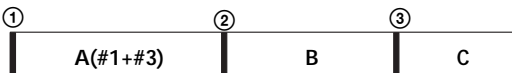
1 Divida A en tres partes (página 44).



2 Borre A#2 (página 41).



3 Combine A#1 y A#3 (página 46).



Nota



Después de detener la grabación, no desconecte el cable de alimentación de CA ni mueva el reproductor mientras "TOC EDIT" parpadea en el visor. Si lo hace, es posible que la grabación no se realice correctamente.

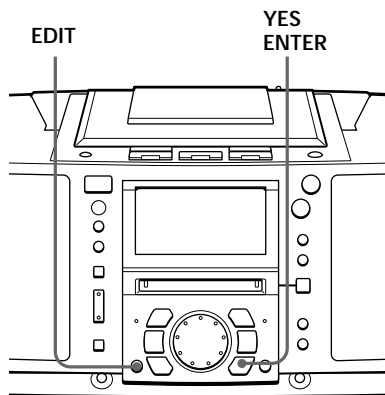
4 Pulse YES•ENTER.

"Complete" aparece en el visor durante unos segundos después de dividirse el tema. El tema original tiene el nombre de tema, mientras que el nuevo no tiene nombre (esto ocurre sólo si el tema dividido tiene nombre). Se añade un tema al calendario musical.

Combinación de temas grabados

(Función de combinación)

Es posible combinar dos temas adyacentes en uno solo. Mediante la función de combinación, es posible combinar varias grabaciones fragmentadas o eliminar las marcas de tema innecesarias. Todos los temas a continuación del combinado se reenumeran.



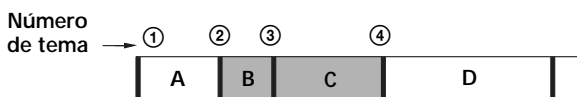
Notas

- Si "Sorry" aparece en el visor, significa que no es posible combinar los temas.

Si repite la edición en el MD, es posible que no pueda combinar los temas. Esto se debe a las limitaciones del sistema de MD (página 68), y no a un fallo de funcionamiento.

- Si "Cannot Edit" aparece en el visor, es posible que esté intentando combinar los temas en el primero de ellos. No es posible utilizar la función de combinación en el primer tema.

Ejemplo: Combine los temas B y C



Combinación



B y C se combinan en un tema.



- 1 Reproduzca el tema que desee combinar.

Ejemplo: Para combinar los temas B y C, reproduzca el tema C.

- 2 Pulse EDIT varias veces hasta que "Combine" aparezca en el visor.

- 3 Pulse YES • ENTER.

"Combine OK?" aparece en el visor, y el reproductor entra en el modo de pausa de reproducción.

Si desea cancelar la función de combinación en este punto:

Pulse NO • CANCEL o MD ■.

Nota



Después de detener la grabación, no desconecte el cable de alimentación de CA ni mueva el reproductor mientras "TOC EDIT" parpadea en el visor. Si lo hace, es posible que la grabación no se realice correctamente.

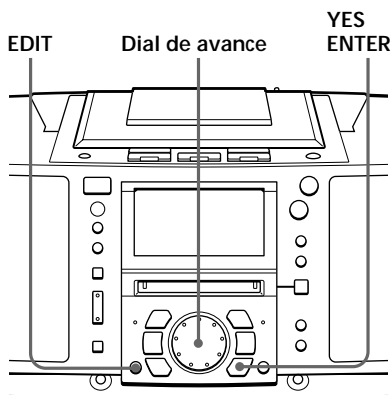
4 Pulse YES•ENTER.

"Complete" aparece en el visor durante unos segundos después de combinarse los temas. Si los dos temas combinados tienen nombre, se borrará el nombre del tema posterior. El número total de temas del calendario musical disminuye en uno.

Desplazamiento de temas grabados

(Función de desplazamiento)

Es posible cambiar el orden de los temas. Después de desplazar el tema, los números de tema se reenumeran automáticamente.

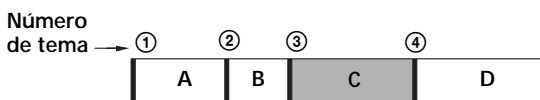


Nota

TOC EDIT

Después de detener la grabación, no desconecte el cable de alimentación de CA ni mueva el reproductor mientras "TOC EDIT" parpadea en el visor. Si lo hace, es posible que la grabación no se realice correctamente.

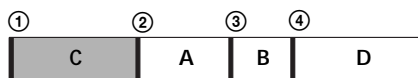
Ejemplo: Desplazamiento de C a la posición del tema 1



Desplazamiento



El número de tema de C cambia a 1



- 1 Reproduzca el tema que desee desplazar.
- 2 Pulse EDIT varias veces hasta que "Track Move" aparezca en el visor.
- 3 Pulse YES•ENTER.

"Track 003?" aparece en el visor, y se inicia la reproducción repetida de un solo tema.

- 4 Gire el dial de avance para seleccionar la nueva posición de tema.

Si desea cancelar la función de desplazamiento en este punto:

Pulse NO•CANCEL o MD ■.

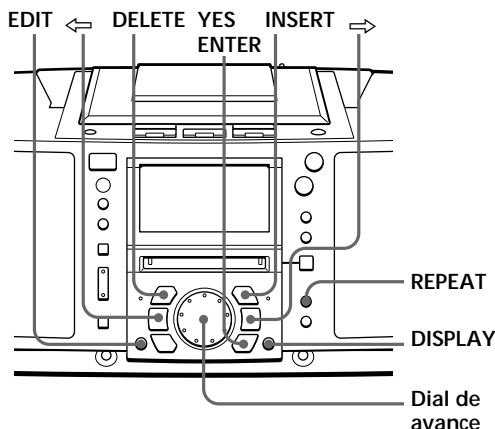
- 5 Pulse YES•ENTER.

"Complete" aparece en el visor durante unos segundos después de desplazarse el tema.

Etiquetado de grabaciones

(Función de nombre)

Durante o después de la grabación, puede etiquetar los MD y los temas grabados con letras, números y símbolos. Es posible introducir un máximo de 1.700 caracteres aproximadamente en cada MD.



Notas

- Al grabar un CD que contenga información de texto de CD, en el visor aparecerá un nombre de tema en el momento de asignar las etiquetas. Cambie el nombre conforme a lo descrito en el paso 3 de la página 50, si fuese necesario, y luego pulse YES•ENTER. Los nombres de temas a los que se hayan etiquetado en el CD no se grabarán en un MD, a menos que pulse YES•ENTER para confirmar la operación.
- Algunos caracteres incluidos en la información de texto del CD (É, à, ñ, ç, ß, [,], etc.) no pueden etiquetarse en el MD. Estos caracteres se etiquetarán como espacios en blanco en el MD.

Etiquetado durante la grabación

- Es posible etiquetar MD y temas durante la grabación sincronizada de un CD entero (página 6) o los temas que haya programado (página 34).
- Sólo es posible etiquetar los temas durante la grabación sincronizada de un solo tema: grabación REC IT (página 33).

Durante la grabación sincronizada de un CD entero o los temas programados

Es posible etiquetar un MD o tema con un máximo de 50 caracteres. Puede etiquetar hasta 30 temas. Si desea etiquetar más de 30 temas, hágalo después de realizar la grabación (página 52).

- 1 Durante la grabación, pulse EDIT varias veces hasta que aparezca "Disc Name" o "Track Name" en el visor y pulse YES•ENTER.

Al etiquetar un MD, seleccione "Disc Name".

Al etiquetar un tema, seleccione "Track Name".

- 2 Para etiquetar un tema, gire el dial de avance para seleccionar un número de tema de un CD y pulse YES•ENTER.

Para etiquetar un MD, vaya al paso 3.

continúa

Etiquetado de grabaciones (Función de nombre) (continuación)

Los caracteres que puede introducir

- Letras mayúsculas: ABCD.....WXYZ',/:
□ (espacio)
- Letras minúsculas: abcd.....wxyz',/:
□ (espacio)
- Números y símbolos: 0123456789!'#\$%&()*.,
<=>?@_+'-',/:
□ (espacio)

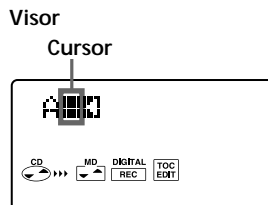
Nota



Después de detener la grabación, no desconecte el cable de alimentación ni mueva el reproductor mientras "TOC EDIT" parpadea en el visor. Si lo hace, es posible que la grabación no se realice correctamente.

3 Introduzca los caracteres mediante el dial de avance.

Gire el dial de avance a la derecha o a la izquierda para seleccionar el carácter y pulse \Rightarrow para desplazar el cursor hacia la derecha.



Además del dial de avance, puede utilizar los siguientes botones:

Botón	Función
DISPLAY	Cada vez que pulse el botón, el carácter cambiará de la siguiente manera: Letras mayúsculas \rightarrow Letras minúsculas \rightarrow Números y símbolos.
\Leftarrow, \Rightarrow	Desplazar el cursor hacia la izquierda o derecha.
DELETE	Eliminar el carácter marcado por el cursor.
INSERT	Introducir un espacio entre los caracteres.

4 Repita el paso 3 para completar un nombre entero.

5 Pulse YES•ENTER.

El nombre se ha registrado en el MD.

Notas

- Al grabar un CD que contenga información de texto de CD, en el visor aparecerá un nombre de tema en el momento de asignar las etiquetas. Cambie el nombre conforme a lo descrito en el paso 3 de la página 50, si fuese necesario, y luego pulse YES • ENTER. Los nombres de temas a los que se hayan etiquetado en el CD no se grabarán en un MD, a menos que pulse YES • ENTER para confirmar la operación.
- Algunos caracteres incluidos en la información de texto del CD (É, à, ñ, ç, ß, [,], etc.) no pueden etiquetarse en el MD. Estos caracteres se etiquetarán como espacios en blanco en el MD.

Durante la grabación REC IT

Sólo es posible etiquetar un nombre de tema. Puede introducir hasta 100 caracteres.

- 1** Durante la grabación, pulse EDIT.
El visor espera la introducción de los caracteres.
- 2** Siguiendo los pasos 3 y 4 de la página 50, etiquete un tema.
- 3** Pulse YES • ENTER.
El nombre se registra en el MD.

continúa

Etiquetado de grabaciones (Función de nombre) (continuación)

Consejo

Al utilizar un MD que ya tiene etiqueta, aparece en el visor un nombre de disco o tema en el momento del etiquetado. En caso necesario, cambie este nombre siguiendo el paso 3 de la página 50 y, a continuación, pulse YES•ENTER para confirmar el nombre nuevo.

Etiquetado después de la grabación

Para etiquetar un MD o tema, siga este procedimiento. Es posible introducir hasta 100 caracteres para cada etiqueta.

- 1** Al etiquetar un MD, inserte el MD apropiado y detenga el funcionamiento.
Al etiquetar un tema, reproduzca el tema que desee etiquetar.
- 2** Pulse EDIT varias veces hasta que aparezca “Disc Name” o “Track Name” en el visor y, a continuación, pulse YES•ENTER.
Al etiquetar un MD, seleccione “Disc Name”.
Al etiquetar un tema, seleccione “Track Name”.
- 3** Siguiendo los pasos 3 y 4 de la página 50, etiquete el MD.
- 4** Después de introducir todo el nombre, pulse YES•ENTER.
El nombre se registra en el MD.

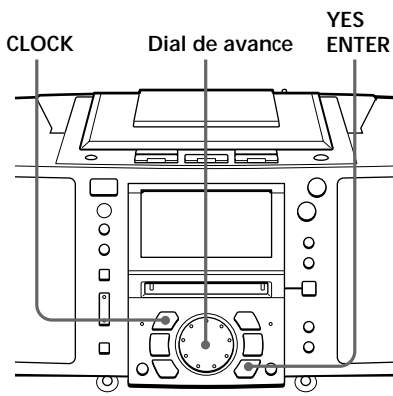
Para cambiar el nombre

Siguiendo el paso 1 de esta página, muestre en el visor el nombre del disco o tema que desee cambiar. Sustituya el nombre anterior por uno nuevo y pulse YES•ENTER.

Ajuste del reloj

Las indicaciones “- -y - -m - -d” y “- :- - -” aparecen en el visor hasta que ajuste el reloj.

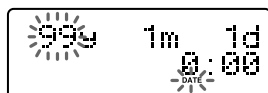
Una vez ajustado el reloj, la fecha y hora de grabación se registran automáticamente (páginas 7, 33 y 35).



Consejos

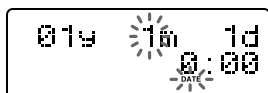
- El sistema de visualización de hora de este reproductor es el de 24 horas.
- Es posible ajustar el reloj de este reproductor cuando se desee, independientemente de si la alimentación está activada o desactivada.

- 1** Pulse y mantenga pulsado CLOCK hasta que los dígitos de año parpadeen.

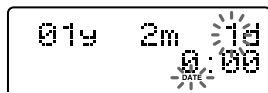


- 2** Ajuste la fecha.

- ① Gire el dial de avance para ajustar el año y pulse YES•ENTER.



- ② Gire el dial de avance para ajustar el mes y pulse YES•ENTER.



- ③ Gire el dial de avance para ajustar el día y pulse YES•ENTER.



- 3** Ajuste la hora.

- ① Gire el dial de avance para ajustar la hora y pulse YES•ENTER.

- ② Gire el dial de avance para ajustar los minutos.

continúa

Ajuste del reloj (continuación)

4 Pulse YES•ENTER.

El reloj se pone en funcionamiento a partir de 00 segundos.



01y 2m 14d
9:15

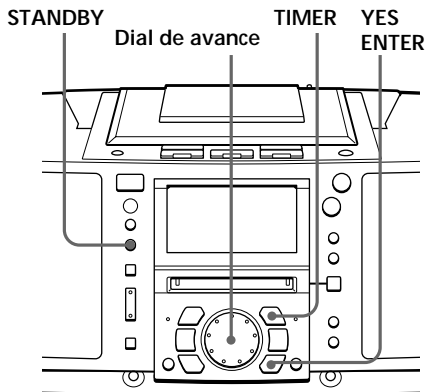
Para mostrar la hora

Pulse CLOCK. Para recuperar la indicación anterior, vuelva a pulsar CLOCK. Mientras la alimentación esté desactivada, se mostrará la indicación de hora.

Activación automática de la unidad

Es posible despertarse con música o con un programa de radio a una hora programada.

Compruebe que ha ajustado el reloj (consulte “Ajuste del reloj”, página 53).



Notas

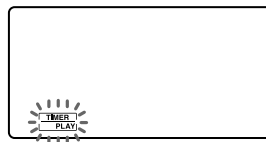
- No es posible programar el temporizador de activación automática y el de grabación (página 57) a la misma hora.
- Al reproducir el sonido del componente conectado a la toma LINE IN del reproductor, consulte el manual de instrucciones de dicho componente.

Antes de comenzar, compruebe que el visor no muestre “TIMER PLAY” o “TIMER REC”. Si alguna de estas indicaciones se muestra, pulse STANDBY.

1 Prepare la fuente de música que desee reproducir.

Fuente	Realice lo siguiente
CD	Inserte un CD.
MD	Inserte un MD.
RADIO	Sintonice la emisora.
LINE	Encienda el equipo conectado a LINE IN.

- 2** Pulse TIMER. “TIMER PLAY” o “TIMER REC” parpadea en el visor.



Realice los siguientes ajustes comprobando las indicaciones del visor.

- 3** Gire el dial de avance hasta que “TIMER PLAY” parpadee en el visor, y pulse YES•ENTER. “MD”, “CD”, “RADIO” o “LINE” parpadea en el visor.
- 4** Gire el dial de avance hasta que el visor muestre la fuente de música que desee reproducir (“MD”, “CD”, “RADIO” o “LINE”), y pulse YES•ENTER.

continúa

Activación automática de la unidad (continuación)

Consejo

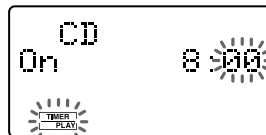
Si comete un error, pulse NO•CANCEL. El último ajuste introducido se borrará. Vuelva a introducirlo.

Consejos

- Para salir del modo de espera, pulse STANDBY para hacer que "TIMER PLAY" desaparezca del visor.
- Los ajustes programados se conservan hasta que vuelva a ajustarlos.
- Mientras que la indicación ☺ se muestre en el visor, el reproductor se encontrará en el modo de temporizador.

5 Ajuste el temporizador a la hora y los minutos a los que desee que se active la música.

- ① Gire el dial de avance para ajustar la hora y pulse YES•ENTER.



- ② Gire el dial de avance para ajustar los minutos y pulse YES•ENTER.

6 Ajuste el temporizador a la hora y los minutos a los que desee que se desactive la música (realice la misma operación que en el paso 5).

- 7** Gire el dial de avance para ajustar el volumen que desee, y pulse YES•ENTER.



8 Pulse STANDBY.

"TIMER PLAY" se ilumina, y el reproductor entra en el modo de espera.

A la hora programada, la alimentación se activará y la música se reproducirá. Después, la alimentación se desactivará a la hora programada, y el reproductor volverá a entrar en el modo de espera.

Para comprobar/cambiar los ajustes del temporizador de activación

Pulse TIMER y, a continuación, YES•ENTER. Cada vez que pulse YES•ENTER, aparecerá un ajuste almacenado en el orden definido. Para cambiar el ajuste, muestre el que desee cambiar y vuelva a introducirlo.

Para utilizar el reproductor antes del inicio de la reproducción con temporizador

Si enciende el reproductor, podrá utilizarlo con normalidad (en el caso de la radio, si escucha una emisora diferente a la sintonizada en el paso 1 de la página 55, se oirá esa emisora a la hora programada). Apague el reproductor antes de la hora programada.

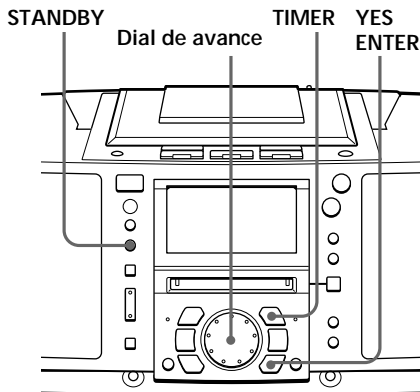
Para detener el reproductor

Desactive la alimentación.

Grabación de programas de radio con temporizador

Es posible ajustar el temporizador para grabar programas de radio a una hora determinada. También es posible grabar desde un componente conectado a la toma LINE IN del reproductor.

Compruebe que ha ajustado el reloj (consulte “Ajuste del reloj” en la página 53).



Notas

- No es posible programar el temporizador de activación automática (página 55) y el de grabación a la misma hora.
- Cuando grabe desde el componente conectado a la toma LINE IN del reproductor, consulte el manual de instrucciones de dicho componente.

Consejo

Si comete un error, pulse NO•CANCEL. El último ajuste introducido se borrará. Vuelva a introducirlo.

Antes de comenzar, compruebe que el visor no muestre “TIMER PLAY” o “TIMER REC”. Si alguna de estas indicaciones se muestra, pulse STANDBY.

- 1 Sintonice la emisora de radio e inserte un MD.
- 2 Pulse TIMER.

“TIMER PLAY” o “TIMER REC” parpadea en el visor.



Realice los siguientes ajustes comprobando las indicaciones del visor.

- 3 Gire el dial de avance hasta que “TIMER REC” parpadee en el visor, y pulse YES•ENTER.
- 4 Gire el dial de avance hasta que “RADIO” parpadee en el visor, y pulse YES•ENTER.

Cuando grabe desde el componente conectado a la toma LINE IN del reproductor, gire el dial de avance hasta que “LINE” parpadee en el visor, y pulse YES•ENTER.

- 5 Ajuste el temporizador a la hora y los minutos a los que desee que se inicie la grabación.

- ① Gire el dial de avance para ajustar la hora y pulse YES•ENTER.



- ② Gire el dial de avance para ajustar los minutos y pulse YES•ENTER.

continúa

Grabación de programas de radio con temporizador (continuación)

Consejos

- Para salir del modo de espera, pulse STANDBY para hacer que "TIMER REC" desaparezca del visor.
- Los ajustes programados se conservarán hasta que vuelva a ajustarlos.
- Mientras que la indicación ☺ se muestre en el visor, el reproductor se encontrará en el modo de temporizador.

6 Ajuste el temporizador a la hora y los minutos a los que desee que se detenga la grabación. (Realice la misma operación que en el paso 5.)

7 Gire el dial de avance para ajustar el volumen que desee, y pulse YES•ENTER.



8 Pulse STANDBY.

Aparece "TIMER REC", y el reproductor entra en el modo de espera.

A la hora programada, la alimentación se activará y se iniciará la grabación. Después, la alimentación se desactivará a la hora programada, y el reproductor entrará de nuevo en el modo de espera.

Para comprobar/cambiar los ajustes del temporizador de grabación

Pulse TIMER y, a continuación, YES•ENTER. Cada vez que pulse YES•ENTER, aparecerá un ajuste almacenado en el orden definido. Para cambiar el ajuste, muestre el que desee cambiar y vuelva a introducirlo.

Para emplear el reproductor antes de que comience la grabación con temporizador

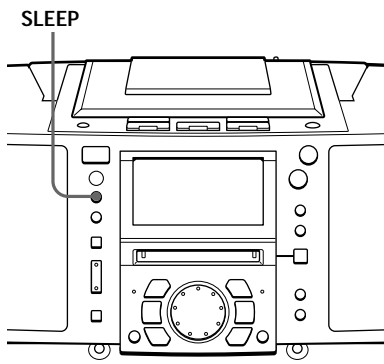
Si enciende el reproductor, podrá utilizarlo con normalidad (en el caso de la radio, si escucha una emisora diferente a la sintonizada en el paso 1 de la página 57, se oirá esa emisora a la hora programada). Apague el reproductor antes de la hora programada.

Para detener la grabación con temporizador

Desactive la alimentación.

Desactivación automática de la unidad

Es posible ajustar el reproductor para que se apague automáticamente transcurridos 10, 20, 30, 60, 90 o 120 minutos, pudiendo quedarse dormido mientras escucha música.



Consejos

- Es posible combinar el temporizador de activación con el de desactivación. Ajuste primero el temporizador de activación (página 55), encienda el reproductor y, a continuación, ajuste el temporizador de desactivación.
- Puede preparar músicas diferentes para el temporizador de activación y para el de desactivación. No obstante, no es posible almacenar emisoras de radio diferentes.
- Es posible definir niveles de volumen diferentes para el temporizador de activación y para el de desactivación. Por ejemplo, puede quedarse dormido con un nivel de volumen menor y despertarse con un volumen mayor.

- 1 Reproduzca la fuente de música que desee.
- 2 Pulse SLEEP hasta que "SLEEP" aparezca en el visor.
- 3 Pulse SLEEP para seleccionar los minutos tras los que el reproductor se apagará automáticamente.

Cada vez que pulse el botón, la indicación cambia de la siguiente forma:

"60" → "90" → "120"
→ ninguna indicación
→ "10" → "20" →
"30".



Si transcurren 4 segundos después de haber pulsado SLEEP, se introducirán los minutos que muestra el visor.

Al llegar la hora programada, el reproductor se apaga automáticamente.

Para cancelar la función de desactivación automática

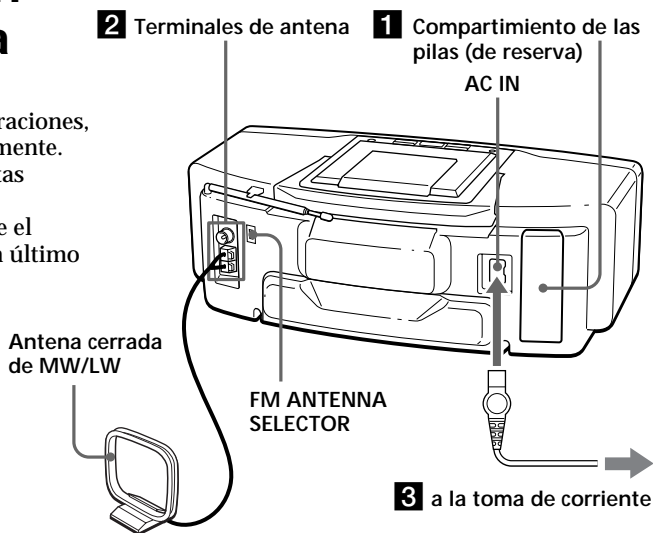
Pulse SLEEP para que "SLEEP" desaparezca del visor.

Para cambiar la hora definida

Vuelva a realizar los pasos 2 y 3.

Preparación del sistema

De acuerdo con las ilustraciones, conecte los cables firmemente. Las conexiones incorrectas producen fallos de funcionamiento. Conecte el cable de alimentación en último lugar.

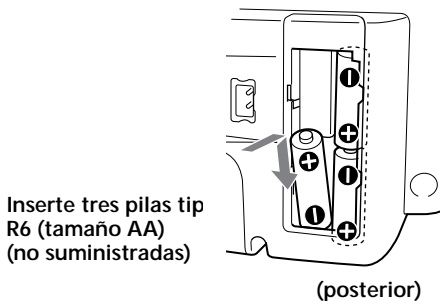


Nota

Asegúrese de desactivar la alimentación del reproductor antes de conectar/desconectar el cable de alimentación o de extraer/insertar las pilas.

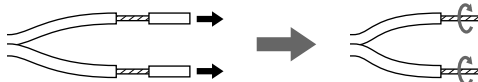
1 Inserción de las pilas de reserva

Inserte tres pilas tipo R6 (tamaño AA) (no suministradas) en el compartimiento de pilas. Estas pilas sirven como respaldo para los datos de la memoria.



2 Conexión de la antena

1 Pele el extremo del cable y retuerza los hilos.

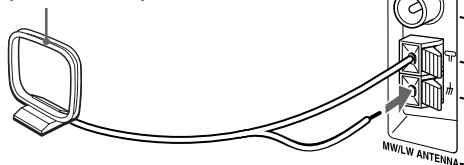


Nota

Mantenga la antena cerrada de MW/LW lo más alejada posible del reproductor. En caso contrario, es posible que se oiga ruido.

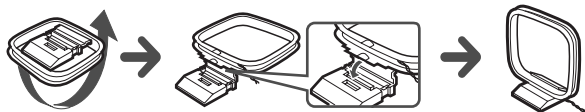
2 Conecte los hilos a los terminales.

Antena cerrada de MW/LW* (suministrada)



* Reoriente la antena para mejorar la recepción de la emisión

Instalación de la antena cerrada de MW/LW



Instalación

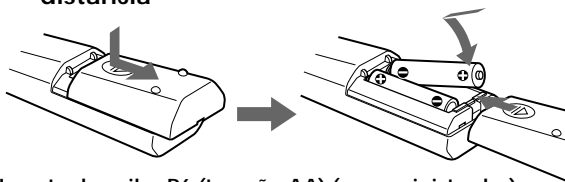
Consejo

La calidad de sonido puede cambiar en función de la polaridad del enchufe. Cambie el sentido de inserción de éste y compruebe la calidad del sonido.

3 Conexión del cable de alimentación

Inserte un extremo del cable de alimentación de CA en la toma AC IN, situada en la parte posterior del reproductor, y el otro en la toma mural.

4 Inserción de las pilas en el mando a distancia



Inserte dos pilas R6 (tamaño AA) (no suministradas)

Sustitución de las pilas

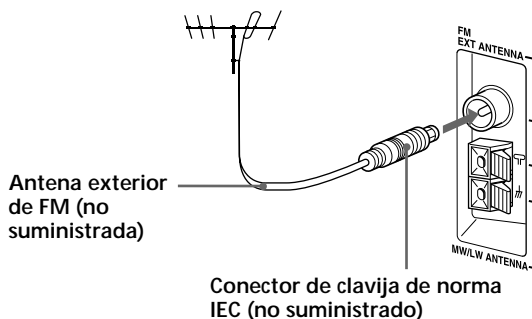
Con un uso normal, las pilas deben durar aproximadamente seis meses. Cuando el reproductor no responda al mando a distancia, sustituya todas las pilas por otras nuevas.

continúa

Preparación del sistema (continuación)

Para mejorar la recepción de FM

- ① Conecte una antena exterior de FM (no suministrada). Si emplea un distribuidor, podrá utilizar también la antena del TV.



- ② Ajuste el selector FM ANTENNA SELECTOR de la parte posterior en "EXT".

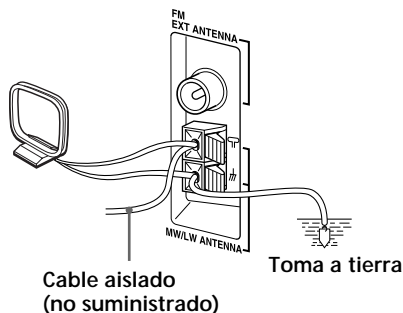


Importante

Cuando utilice una antena exterior de MW/LW, asegúrese de conectar el terminal $\#$ a tierra contra rayos. Para evitar explosiones de gas, no conecte el cable de toma a tierra a una tubería de gas.

Para mejorar la recepción de MW/LW

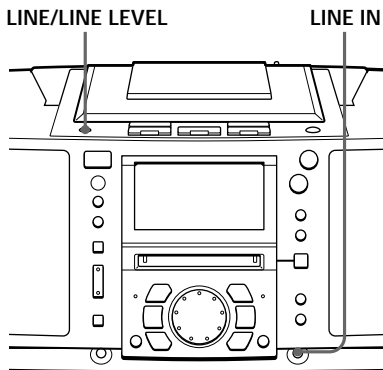
Conecte un cable aislado de 6 a 15 metros (no suministrado) de largo al terminal MW/LW ANTENNA. Mantenga el cable lo más horizontal posible cerca de una ventana o en el exterior. No es necesario desconectar la antena cerrada de MW/LW suministrada.



Conexión de componentes opcionales

Es posible escuchar el sonido de un TV o videograbadora mediante los altavoces de este reproductor.

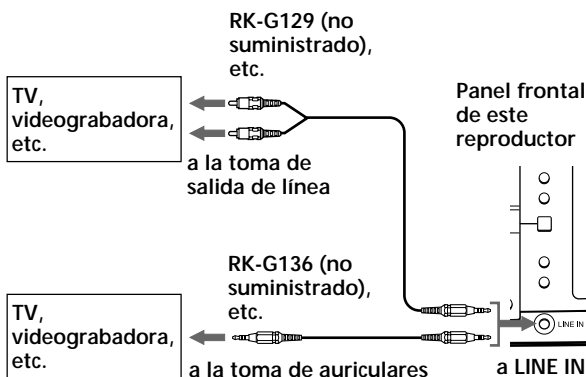
Asegúrese de desactivar la alimentación de cada componente antes de realizar las conexiones. Para más información, consulte el manual de instrucciones del componente que vaya a conectar.



Nota

Conecte los cables firmemente para evitar fallos de funcionamiento.

Conexión de un TV o una videograbadora



Una vez finalizadas las conexiones, encienda el reproductor y pulse LINE/LEVEL en el panel frontal para que aparezca "LINE".

continúa

Conexión de componentes opcionales (continuación)

Consejo

Si no se introduce sonido durante más de 2 segundos mientras graba, se registrará una marca de tema automáticamente.

Grabación del sonido de los componentes conectados

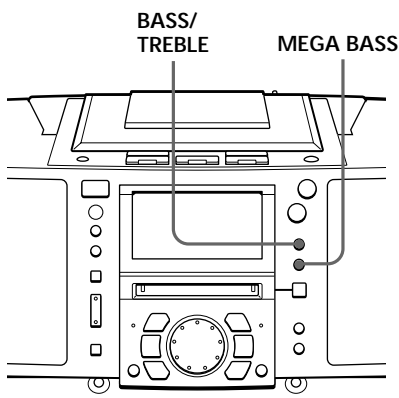
- 1 Inserte un MD grabable.
- 2 Pulse LINE/LINE LEVEL en el panel frontal para que aparezca "LINE".
- 3 Pulse REC.
El reproductor entra en el modo de espera de grabación.
- 4 Pulse MD ►||.
Se inicia la grabación.
- 5 Reproduzca el componente opcional conectado a la toma LINE IN del reproductor.

Si el volumen del componente conectado a la toma LINE IN es demasiado alto

Pulse LINE/LINE LEVEL para mostrar "Level: High" ("Level: Normal" en condiciones normales) o reduzca el volumen del componente conectado.

Ajuste del énfasis de sonido

Es posible ajustar el énfasis de sonido de los graves o de los graves/agudos que escuche.



Refuerzo del sonido de graves

Pulse MEGA BASS varias veces hasta que el visor muestre el ajuste que desee.

Cada vez que pulse el botón, la indicación cambiará de la siguiente forma: “MEGA BASS Level:1” → “MEGA BASS Level:2” → “MEGA BASS Level:3” → “MEGA BASS Off”.

Los graves resultan más efectivos en el orden 1 → 2 → 3.

Visor



En el mando a distancia

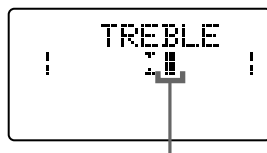
- 1 Pulse BASS/TREBLE.
- 2 Ajuste el sonido utilizando el botón + o -.

Nota

Si el volumen es demasiado alto, es posible que los ajustes de sonido no sean efectivos.

Ajuste del sonido de graves/agudos

- 1 Pulse BASS/TREBLE hasta que “BASS” o “TREBLE” aparezca en el visor.
- 2 Ajuste los graves o los agudos con el dial de avance.



Al girar el dial de avance, el cursor se desplaza a la izquierda o la derecha. Al desplazarse el cursor hacia la derecha, el nivel aumentará, mientras que al desplazarse hacia la izquierda, el nivel disminuirá.

Precauciones

Seguridad

- Puesto que el haz láser que se utiliza en la sección del reproductor de CD y de MD es perjudicial para los ojos, no intente desmontar la unidad. Solicite asistencia técnica sólo a personal especializado.
- Si se introduce algún objeto sólido o se derrama líquido sobre el reproductor, desenchúfelo y haga que sea revisado por personal especializado antes de volver a utilizarlo.

Fuentes de alimentación

- El reproductor no estará desconectado de la fuente de alimentación de CA (toma de corriente) mientras esté conectado a la toma mural, aunque lo haya apagado.
- Si no va a utilizar las pilas, extraígalas para evitar daños que pueden producirse por fugas o corrosión de las mismas.
- La placa que indica la tensión de funcionamiento, consumo de energía, etc. está situada en la parte inferior.

Ubicación

- No deje el reproductor en lugares próximos a fuentes de calor, ni expuestos a la luz solar directa, polvo excesivo o golpes mecánicos.
- No coloque nada a una distancia inferior a 10 mm del lateral del reproductor. Para que éste funcione correctamente y prolongar la duración de sus componentes, los orificios de ventilación no deben obstruirse.

- Si deja el reproductor en un automóvil aparcado al sol, asegúrese de elegir un lugar dentro del mismo donde el reproductor no quede expuesto a los rayos directos del sol.
- Puesto que los altavoces disponen de un imán potente, aleje del reproductor tarjetas personales de crédito que empleen codificación magnética o relojes de cuerda con el fin de evitar posibles daños producidos por dicho imán.

Funcionamiento

- Si traslada el reproductor directamente de un lugar frío a otro cálido, o si lo coloca en una sala muy húmeda, es posible que se condense humedad en las lentes del interior de la sección del reproductor de CD y de MD. Si esto ocurre, éste no funcionará correctamente. En este caso, extraiga el CD o el MD y espere aproximadamente una hora hasta que la humedad se evapore.

Si desea realizar alguna consulta o solucionar algún problema referentes al reproductor, póngase en contacto con el proveedor Sony más próximo.

Notas sobre los discos compactos

- Antes de la reproducción, limpie el CD con un paño de limpieza desde el centro hacia los bordes.

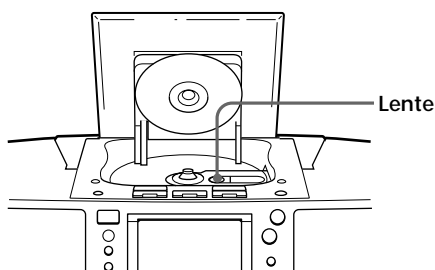


- No utilice disolventes, como bencina, diluyentes, limpiadores disponibles en el mercado ni aerosoles antiestáticos destinados a discos de vinilo.
- No exponga el CD a la luz solar directa ni a fuentes de calor, como conductos de aire caliente, ni lo deje en un automóvil aparcado bajo la luz solar directa, ya que puede producirse un considerable aumento de temperatura en el interior de dicho automóvil.
- Después de la reproducción, guarde el CD en su caja.

Si el CD está rayado, sucio o tiene huellas dactilares, pueden producirse errores de lectura.

Limpeza de la lente

Si la lente se ensucia, pueden producirse pérdidas de sonido durante la operación del CD. Límpiela con un soplador disponible en los establecimientos.

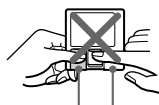


Limpeza del exterior lente

Limpe el exterior, el panel y los controles con un paño suave ligeramente humedecido en una solución detergente poco concentrada. No utilice estropajos abrasivos, detergente en polvo ni disolventes, como alcohol o bencina.

Notas sobre los minidiscos

- No abra el obturador de forma que el MD quede expuesto. Cierre dicho obturador inmediatamente si se abre.



Obturador Cartucho

- Limpie el cartucho del disco con un paño seco para eliminar la suciedad.

Protección de minidiscos grabados

Para proteger un MD contra grabaciones, deslice y abra la lengüeta del lateral de dicho MD (de forma que la lengüeta quede oculta).

En esta posición, no es posible grabar en el MD. Para grabar en él, deslice y cierre la lengüeta.



Deslice y abra la lengüeta

Limitaciones del sistema de MD

El sistema de grabación de la grabadora de minidiscos difiere por completo del utilizado en platinas de cassettes y DAT. El sistema tiene las limitaciones descritas a continuación. No obstante, tenga en cuenta que estas limitaciones se deben a la naturaleza inherente del propio sistema de grabación de MD y no a causas mecánicas.

“Disc Full” aparece en el visor incluso antes de que el MD haya alcanzado el tiempo máximo de grabación (60 o 74 minutos)

Si se han grabado 254 temas en el MD, aparecerá “Disc Full” independientemente del tiempo total de grabación. No es posible grabar más de 254 temas en el MD. Para seguir grabando, borre temas innecesarios.

“Disc Full” aparece en el visor incluso antes de que el MD haya alcanzado el número de temas o el tiempo de grabación máximos.

La repetición de las operaciones de grabación y borrado puede causar la fragmentación y dispersión de los datos. Aunque es posible leer los datos dispersos, cada fragmento se contabiliza como un tema. En este caso, el número de temas puede llegar a ser de 254 y no será posible realizar más grabaciones. Para seguir grabando, borre temas innecesarios.

El tiempo de grabación restante no aumenta incluso después de borrar varios temas cortos

Puesto que los temas de duración inferior a 12 segundos no se contabilizan, el borrado de éstos puede no aumentar el tiempo de grabación.

No es posible combinar ciertos temas con otros

La combinación de temas puede ser imposible si la duración de éstos es inferior a 12 segundos.

El tiempo total de grabación y el restante del MD pueden no alcanzar el tiempo máximo de grabación (60 o 74 minutos)

La grabación se realiza en unidades mínimas de 2 segundos cada una, independientemente de la brevedad de la duración del material. Por tanto, el contenido grabado puede ser inferior a la capacidad máxima de grabación. El espacio del disco puede también reducirse más por la presencia de rayaduras en dicho disco.

Es posible que se produzcan pérdidas de sonido durante el avance rápido o el rebobinado de temas editados.

Los temas creados mediante edición pueden presentar pérdidas de sonido durante el avance rápido o el rebobinado, ya que la reproducción a alta velocidad tarda un espacio de tiempo en buscar la posición en el disco si los temas están dispersos en el mismo.

Guía del Sistema de gestión de copias en serie

Los equipos de audio digital, como CD, MD, DAT, etc., realizan fácilmente copias de música con alta calidad, ya que estos productos procesan la música como una señal digital. El Sistema de gestión de copias en serie permite realizar una sola copia de las fuentes digitales grabadas mediante conexiones digital-a-digital, ya que los programas de música pueden contar con copyright. Este sistema se aplica a este reproductor.

Sólo es posible realizar una copia de primera generación* mediante una conexión digital-a-digital.

Esto significa lo siguiente:

- 1 Es posible realizar una copia de un programa de sonido digital del mercado como un CD, MD, etc., pero no es posible realizar una segunda copia de la copia de primera generación.
- 2 Es posible realizar una copia de una señal digital de un programa de sonido analógico grabado digitalmente en el mercado, como una grabación analógica, cinta de cassette de música, etc., o de emisiones digitales por satélite, pero no es posible realizar una segunda copia.

Nota

No se aplican restricciones cuando una señal digital se graba como señal analógica (es decir, cuando una señal digital se graba mediante conexión analógico-a-analógico).

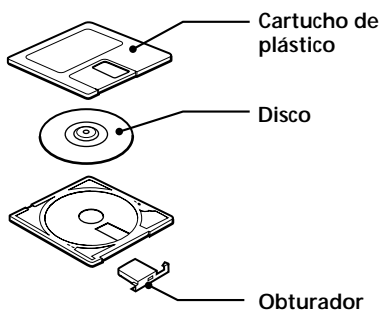
- * Una copia de primera generación es una grabación digital de una señal digital realizada en equipos de audio digital mediante conexión digital-a-digital. Durante la grabación, el visor de este reproductor muestra "DIGITAL REC".

Descripción de los minidiscos

Estructura

El minidisco (MD) de 2,5 pulgadas es un disco de reducido tamaño y de fácil manejo que requiere menos cuidados, ya que se encuentra alojado en un cartucho de plástico, presentando el aspecto de un disquete de 3,5 pulgadas (consulte las siguientes ilustraciones).

Componentes que conforman los minidiscos



Tipos de minidiscos

Existen dos tipos de minidiscos: de grabación comercial (pre-grabados) y grabables (vírgenes). No es posible grabar en los minidiscos de grabación comercial como en el caso de las cintas de cassette. Para realizar grabaciones, deben utilizarse "minidiscos grabables".

Minidiscos de grabación comercial

Estos minidiscos están grabados y se reproducen como los discos compactos normales. Un haz láser enfoca las hendiduras de la superficie del MD y refleja la información en la lente de la grabadora. A continuación, ésta decodifica las señales y las reproduce como música.



Minidiscos grabables

Estos minidiscos, que emplean tecnología magnetoóptica (MO), pueden grabarse varias veces. El láser del interior de la grabadora aplica calor en el MD, desmagnetizando la capa magnética del mismo. A continuación, dicha grabadora aplica un campo magnético en la capa. Dicho campo se corresponde exactamente con las señales de audio generadas por la fuente conectada. (Las polaridades norte y sur equivalen a "1" y "0" digitales.) El MD desmagnetizado adopta la polaridad del campo magnético, resultando en un MD grabado.



Características

Grabación de larga duración

El MD utiliza una nueva tecnología de compresión de audio digital denominada "ATRAC" (Adaptive TRansform Acoustic Coding). Para almacenar más sonido en menos espacio, ATRAC extrae y codifica sólo los componentes de frecuencia que el oído humano puede oír.


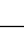
Acceso aleatorio rápido

Al igual que los discos compactos, los minidiscos ofrecen acceso instantáneo aleatorio al principio de cualquier tema musical. Los minidiscos de grabación comercial están grabados con direcciones de ubicación correspondientes a cada tema musical.

Memoria resistente a los golpes

Un inconveniente importante de los sistemas de lectura óptica es que omiten o desactivan el sonido cuando están sometidos a vibraciones. El sistema de MD elimina este problema mediante el empleo de una memoria intermedia que almacena datos de audio.

Solución de problemas

	Problema	Solución
Generales	Ausencia de sonido.	<ul style="list-style-type: none"> • Pulse OPERATE para encender el reproductor. • Conecte firmemente el cable de alimentación. • Ajuste el volumen. • Desenchufe los auriculares de la toma  mientras escucha a través de los altavoces. • Espere hasta que "TOC Reading" desaparezca del visor.
	La imagen del TV es inestable.	<ul style="list-style-type: none"> • Aleje el reproductor del TV.
	Aparecen varias indicaciones en el visor, una tras otra.	<ul style="list-style-type: none"> • El reproductor se encuentra en el modo de demostración (DISPLAY se ha mantenido pulsado durante más de 2 segundos). → Mantenga pulsado DISPLAY durante más de 2 segundos para salir del modo de demostración.
Reproductor de CD	El CD no se reproduce./"No Disc" se ilumina en el visor aunque haya un CD insertado.	<ul style="list-style-type: none"> • Asegúrese de que el compartimiento del CD está cerrado. • Coloque el CD con la superficie de la etiqueta hacia arriba. • Limpie el CD. • Extraiga el CD y deje el compartimiento abierto durante una hora aproximadamente para que se seque la humedad condensado.
	Se producen pérdidas de sonido.	<ul style="list-style-type: none"> • Reduzca el volumen. • Limpie el CD, o sustitúyalo si está muy dañado. • Coloque el reproductor en un lugar sin vibraciones.
	No es posible extraer un MD parcialmente insertado.	<ul style="list-style-type: none"> • El sistema de autobloqueo del reproductor de MD ha atrapado el MD. Inserte éste por completo y, a continuación, pulse  MD EJECT.
Reproductor de MD	"Disc Error" se ilumina en el visor y el reproductor no funciona.	<ul style="list-style-type: none"> • Extraiga el MD y vuelva a insertarlo. Si "Disc Error" permanece en el visor, sustituya el MD. Borre todos los temas del mismo (página 42).
	El MD no se reproduce.	<ul style="list-style-type: none"> • Extraiga el MD y deje el reproductor en un lugar cálido durante varias horas hasta que la humedad se evapore. • Ha insertado el MD incorrectamente. Deslícelo en el compartimiento de discos para introducirlo con el lado de la etiqueta hacia arriba y la flecha orientada hacia la abertura hasta que el reproductor lo introduzca. • Es posible que el MD no contenga grabaciones (el calendario musical no aparece). Sustituya el disco por otro que esté grabado.

	Problema	Solución
Reproductor de MD	El MD no se graba.	<ul style="list-style-type: none"> • El MD está protegido contra grabaciones (aparece “Protected”). Cierre la ranura de protección contra grabaciones. • El tema se ha protegido mediante otra grabadora de MD (aparece “Trk Protect”). Cancele la protección de temas en la grabadora de MD en la que se protegió el tema. • El reproductor no está conectado correctamente a la fuente de sonido. Realice las conexiones adecuadas a la fuente de sonido. • Ha insertado un MD de grabación comercial. Sustitúyalo por otro grabable. • No queda suficiente espacio en el MD. Sustitúyalo por otro grabable con suficiente espacio, o borre temas innecesarios. • Se ha producido un corte de suministro eléctrico o se ha desconectado el cable de alimentación. Es posible que se pierdan los datos grabados en ese punto. Repita el procedimiento de grabación.
	Se producen pérdidas del sonido grabado.	<ul style="list-style-type: none"> • El sonido se ha grabado con un volumen alto. Vuelva a grabarlo con un volumen menor.
	No es posible recibir en estéreo un programa estéreo.	<ul style="list-style-type: none"> • Pulse MONO/ST hasta que “Stereo” aparezca en el visor (página 11).
Radio	El sonido es débil o es de mala calidad.	<ul style="list-style-type: none"> • Es posible que la emisión de FM en estéreo presente ruido (página 11). • Aleje el reproductor del TV. • Si emplea el mando a distancia mientras escucha una emisora de radio de MW/LW, es posible que se oiga ruido. Esto es inevitable. • Aleje la antena cerrada de MW/LW del reproductor.
	El temporizador no funciona.	<ul style="list-style-type: none"> • Compruebe que la hora del reloj sea correcta. • Compruebe si se ha producido un corte en el suministro de alimentación de CA. • Compruebe que “TIMER REC” o “TIMER PLAY” aparezca en el visor. • Compruebe y cambie la hora programada de inicio/parada si ambas horas son iguales.

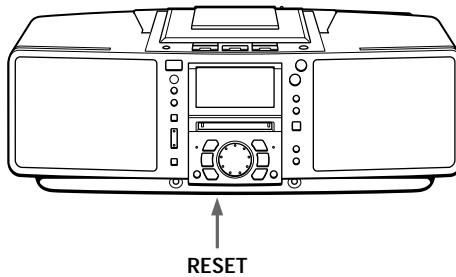
continúa

Solución de problemas (continuación)

Mando a distancia

Problema	Solución
El mando a distancia no funciona.	<ul style="list-style-type: none">• Sustituya todas las pilas del mando a distancia por otras nuevas si disponen de poca energía (página 61).• Compruebe que orienta el mando a distancia hacia el sensor de control remoto del reproductor.• Elimine los obstáculos que haya entre el mando a distancia y el reproductor.• Asegúrese de que el sensor de control remoto no está expuesto a iluminaciones intensas, como la luz solar directa o lámparas fluorescentes.• Acérquese al reproductor cuando utilice el mando a distancia.

Es posible que el funcionamiento sea inestable en función del suministro de alimentación u otras causas, ya que este reproductor emplea un microprocesador para enlazar cada una de las operaciones. Si se produce algún problema no descrito anteriormente, desconecte el cable de alimentación de CA de la toma mural y, a continuación, vuelva a conectarlo transcurridos unos 20 segundos. Si el problema no se soluciona, pulse el botón RESET de la parte inferior del reproductor con un objeto puntiagudo (en este caso, el reloj, el temporizador o las emisoras de radio memorizadas recuperan sus ajustes iniciales. Si es necesario, vuelva a ajustar dichos elementos). Si el problema no se soluciona, póngase en contacto con el proveedor Sony más próximo.



Mensajes de error

Si el reproductor no puede realizar alguna operación de MD o de CD, es posible que alguno de los siguientes mensajes de error parpadee en el visor.

Este mensaje parpadeará	Si
Blank Disc	intenta reproducir un MD que no esté grabado.
Cannot Edit	intenta utilizar la función de combinación en el primer tema del MD.
Disc Error	ha insertado un MD dañado o un MD sin índice (TOC) (información sobre el contenido de grabación).
Disc Full	no queda espacio para grabar o editar el MD. (Consulte "Limitaciones del sistema de MD" en la página 68.)
Name Full	la capacidad de etiquetado del MD ha llegado a su límite. Cada etiqueta puede componerse de un máximo de 100 caracteres. Es posible introducir un máximo de unos 1.700 caracteres en cada MD.
No Disc	intenta reproducir o grabar sin ningún CD o MD en el reproductor.
No MD	intenta reproducir o grabar sin ningún MD en el reproductor (en el caso de grabación sincronizada, etc.)
PB Disc	intenta grabar o editar en un MD de grabación comercial (PB significa reproducción).
Protected	intenta grabar o editar en un MD con la lengüeta en la posición de protección contra grabaciones.
Sorry	intenta editar, sin tener en cuenta las limitaciones del sistema de MD.
Trk Protect	intenta grabar o editar un tema ya protegido con otras grabadoras de MD.
No Text	ha seleccionado el tema que no tiene información de texto al reproducir un CD que contiene información de texto de CD.

Especificaciones

Sección del reproductor de CD

Sistema

Audio digital de discos compactos

Propiedades del diodo láser

Material: GaAlAs

Longitud de onda: 785 nm

Duración de la emisión: Continua

Salida de láser: Inferior a 44,6 μ W

(Esta salida es el valor medido a una distancia de aproximadamente 200 mm de la superficie de la lente objetiva del bloque de recogida óptico con una apertura de 7 mm.)

Velocidad del eje

200 r/min (rpm) a 500 r/min (rpm) (CLV)

Número de posiciones de programa

2

Respuesta de frecuencia

20 - 20.000 Hz +1/-2 dB

Fluctuación y trémolo

Por debajo del límite medible

Sección de la radio

Margen de frecuencias

FM: 87,5 - 108 MHz

MW: 531 - 1.602 kHz

LW: 153 - 279 kHz

IF FM: 10,7 MHz

MW/LW: 450 kHz

Antenas

FM: Antena telescópica

Terminal de antena externa

MW/LW: Terminales de antena externa

Sección del reproductor de MD

Sistema

Audio digital de minidisos

Disco

Minidisco

Propiedades del diodo láser

Material: GaAlAs

Longitud de onda: 785 nm

Duración de la emisión: Continua

Salida de láser: Inferior a 44,6 μ W

(Esta salida es el valor medido a una distancia de aproximadamente 200 mm de la superficie de la lente objetiva del bloque de recogida óptico con una apertura de 7 mm.)

Tiempo de grabación/reproducción

Máximo de 74 minutos (con MDW-74)

Revoluciones

400 rpm a 900 rpm (CLV)

Corrección de error

Advanced Cross Interleave Reed Solomon Code (ACIRC)

Frecuencia de muestreo

44,1 kHz

Codificación

Adaptive TRansform Acoustic Coding (ATRAC)

Sistema de modulación

EFM (Eight-to-Fourteen Modulation)

Número de posiciones de programa

2 estéreo

Respuesta de frecuencia

20 - 20.000 Hz +1/-2 dB

Relación señal-ruido

Superior a 80 dB (durante la reproducción)

Fluctuación y trémolo

Por debajo del límite medible

Generales

Altavoz

Gama completa: 8 cm de diámetro, tipo cónico de 4 ohmios (2)

Entradas

LINE IN (minitoma estéreo): Sensibilidad 436 mV/870 mV

Salidas

Toma de auriculares (minitoma estéreo) (1):

Para auriculares de 32 ohmios de impedancia

Salida de potencia máxima

7 W + 7 W

Requisitos de alimentación

Para el sistema de minidisos personal:

230 V CA, 50 Hz

Para la memoria de respaldo:

4,5 V CC, 3 pilas tipo R6 (tamaño AA)

Para el mando a distancia:

3 V CC, 2 pilas R6 (tamaño AA)

Consumo de energía

32 W

Dimensiones (partes salientes incluidas)

aprox. 450 x 164 x 239,4 mm (an/al/prf)

Peso

aprox. 6 kg

Accesorios suministrados

Cable de alimentación (1)

Mando a distancia (1)

Antena cerrada de MW/LW (1)

Accesorios opcionales

Auriculares Sony de la serie MDR

Patentes de EE.UU. y extranjeras con licencia de Dolby Laboratories Licensing Corporation.

Diseño y especificaciones sujetos a cambios sin previo aviso.

Índice alfabético

A, B, C

Ajuste

- agudos 65
- graves 65
- volumen 5, 9, 11

ATRAC 71

AUTO PRESET 23

- Comprobación del tiempo de reproducción de un CD 12
- de un MD 14

Conexión

- antena 61, 62
- cable de alimentación 61
- componentes opcionales 63

Conexiones. Consulte

Conexión

- Creación de su propio programa 20

D

- Descripción de los minidiscos 70

E

- Edición 39
- Emisoras de radio
 - memorización 23
 - recepción 10
- EON 28

F

- Fuentes de alimentación 61
- Función de borrado 41
- Función de combinación 46
- Función de desplazamiento 48
- Función de división 44
- Función de nombre 49

G, H

Grabación

- de CD 6, 37
- en un MD 6, 37, 38

I, J, K

- Información de texto de un CD 16
- Instalación 60

L

- Limitaciones de sistema 68
- Limpieza 67
- Localización de un punto específico de un tema 18
- Localización de un tema específico 18

M, N, Ñ, O

- MEGA BASS 65
- Mejora de la recepción de emisiones 11
- Memorización de emisoras de radio 23
- Mensajes de error 75

P, Q

- Pilas
 - para el mando a distancia 61
- PTY 30

R

- RDS 26
- Recepción de la radio 10
- Reloj 53
- Reproducción aleatoria 22
- Reproducción de programa 20
- Reproducción
 - de CD 4
 - de emisoras de radio memorizadas 25
 - de MD 8
 - repetida de temas 19
- Reproducción repetida 19
- Reproductor de CD 12
- Reproductor de MD 12

S

- Sistema de gestión de copias en serie 69
- Solución de problemas 72

T

- TA 29
- Temporizador
 - grabación 57
 - reproducción 55

U

- Uso del visor 12-15

V, X, Y, Z

- Visor 12-15

